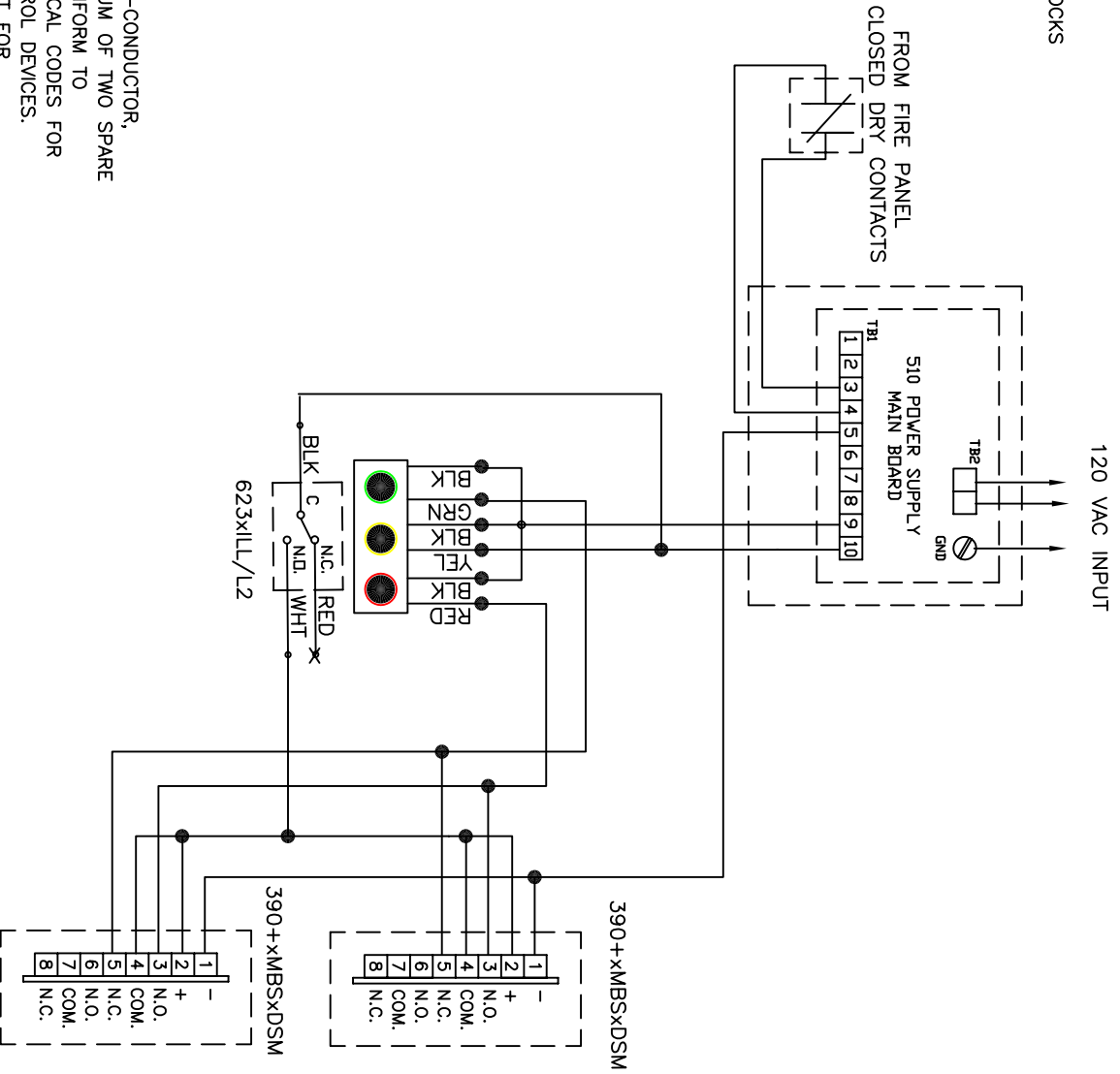


SYSTEM OPERATION
 SYSTEM SHOWN UNSECURED
 DEPRESSING 625 SWITCH WILL LOCK DOOR TILL BUTTON IS RELEASED
 RED LIGHT = DOOR LOCKED
 GREEN LIGHT = DOOR UNLOCKED
 YELLOW LIGHT FOR ILLUMINATION
 ACTIVATION OF FIRE PANEL WILL OVERRIDE AND RELEASE LOCKS



- NOTES
1. ALL LOW VOLTAGE WIRING TO BE STRANDED, MULTI-CONDUCTOR, COLOR CODED WIRE WITHOUT SPLICES. A MINIMUM OF TWO SPARE CONDUCTORS IS RECOMMENDED. WIRING TO CONFORM TO APPLICABLE NATIONAL, STATE AND LOCAL ELECTRICAL CODES FOR CLASS 2 FIRE PROTECTION SIGNALING AND CONTROL DEVICES.
 2. REFER TO DOCUMENTATION SUPPLIED WITH PRODUCT FOR IMPORTANT INFORMATION REQUIRED FOR PROPER INSTALLATION.
 3. —X UNUSED CONDUCTORS. INSULATE AND STORE.