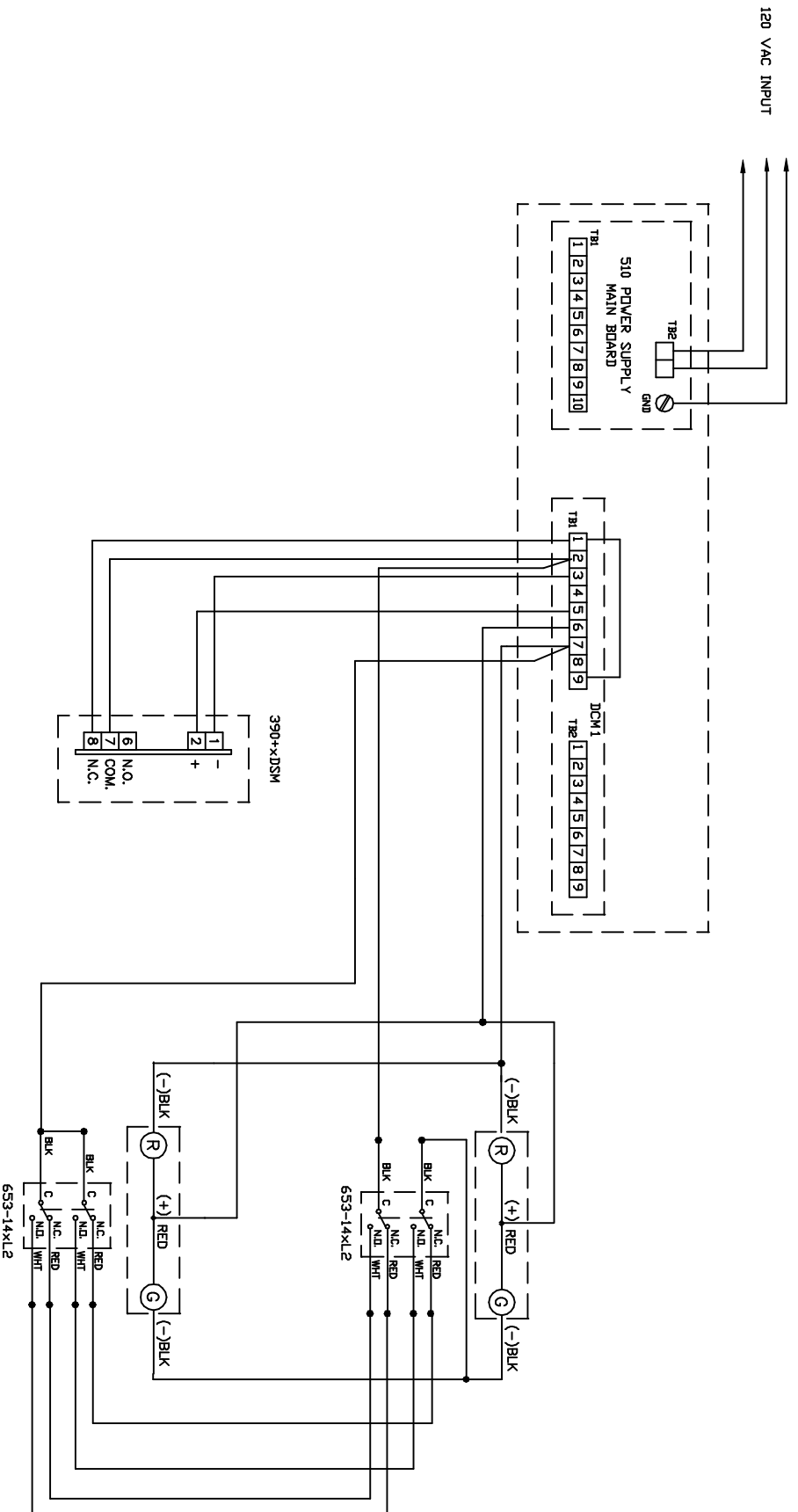


- NOTES**
1. ALL LOW VOLTAGE WIRING TO BE STRANDED, MULTI-CONDUCTOR, COLOR CODED WIRE WITHOUT SPLICES. A MINIMUM OF TWO SPARE CONDUCTORS IS RECOMMENDED. WIRING TO CONFORM TO APPLICABLE NATIONAL, STATE AND LOCAL ELECTRICAL CODES FOR CLASS 2 FIRE PROTECTION SIGNALING AND CONTROL DEVICES.
 2. REFER TO DOCUMENTATION SUPPLIED WITH PRODUCT FOR IMPORTANT INFORMATION REQUIRED FOR PROPER INSTALLATION.
 3. _____ X UNUSED CONDUCTORS. INSULATE AND STORE.



- SYSTEM OPERATION**
1. SYSTEM SHOWN IN NORMAL STATE, UNARMED AND DOOR CLOSED
 2. ACTIVATION OF EITHER KEY SWITCH WILL ARM DOOR
 3. ONCE DOOR IS ARMED, DOOR MAY BE OPENED
 4. OPENING DOOR WILL ACTIVATE LOCK
 5. ONCE DOOR IS LOCKED IT WILL REMAIN LOCKED UNTIL RESET BY EITHER KEY SWITCH
 6. LED WILL INDICATE STATUS OF SYSTEM.. RED = SYSTEM ARMED GREEN = SYSTEM IS OFF

DRAWN BY: JW DATE 05/01
 CHKD BY:
 APP'D BY:

PROJECT NAME
 IR-SYSTEMIZER

TITLE
 ESCAPE ROOM WIRING

DWG/PROJECT NO.
 PAGE 1 OF 1

REV.

