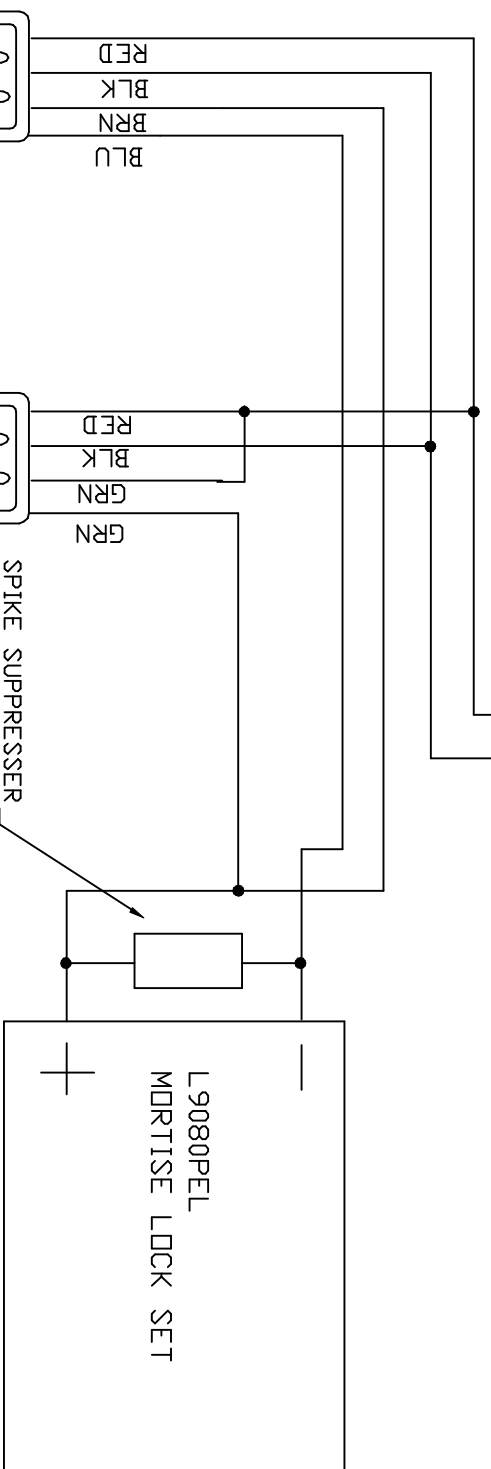
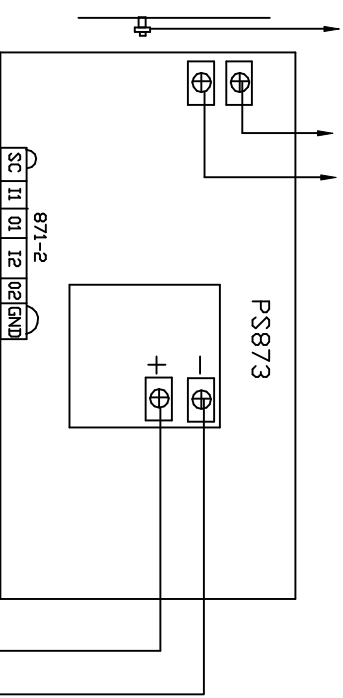


120VAC INPUT



OTHER WIRES TIE OFF (NOT SHOWN FOR CLARITY)  
BOTH RELAYS MUST BE SET FOR NORMALLY OPEN

DRAWN BY: JW	DATE 8/03
CHKD BY:	
APP'D BY:	

PROJECT NAME

TITLE  
MORTISEXPRO78+XPRO78



DWG/PROJECT NO.  
PAGE 1 OF 1

REV.