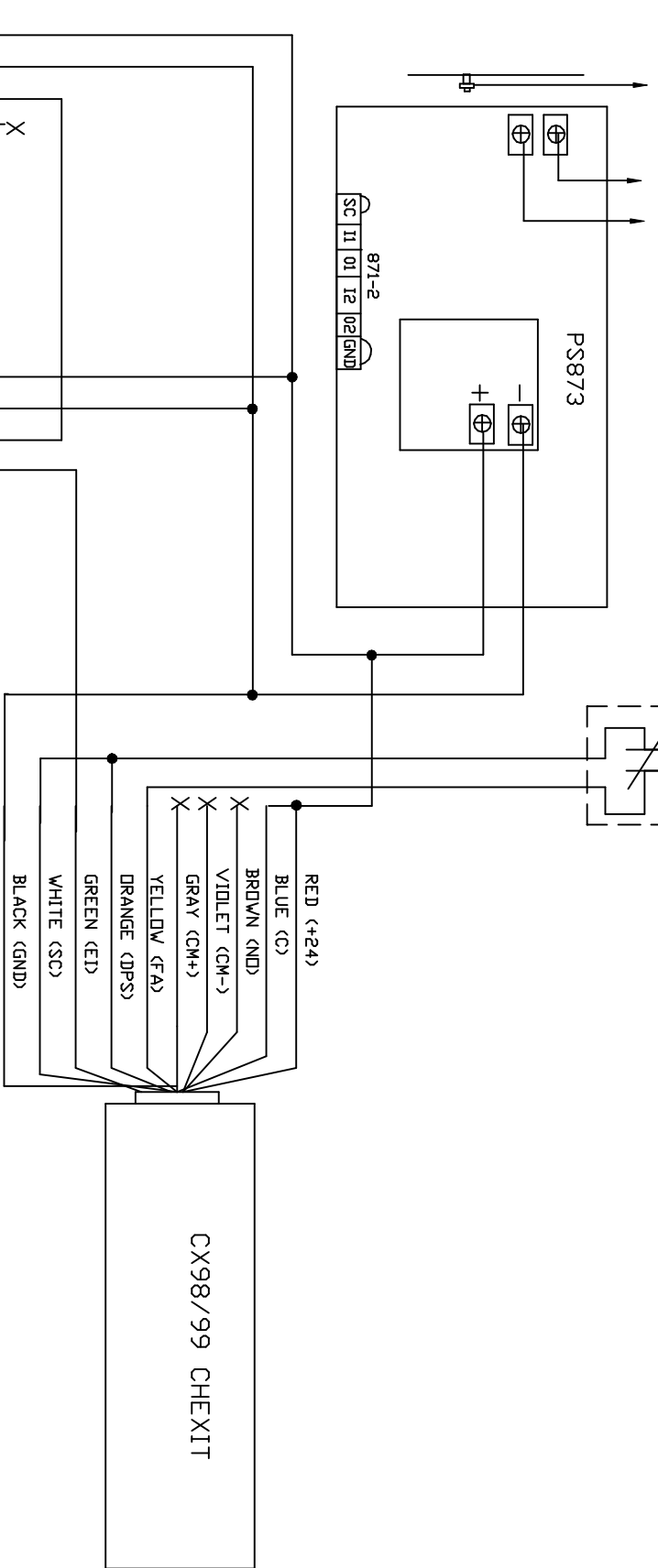


120VAC INPUT

FIRE PANEL  
CLOSED DRY CONTACT



OTHER WIRES TIE OFF (NOT SHOWN FOR CLARITY)

BOTH RELAYS MUST BE SET FOR NORMALLY CLOSED

DRAWN BY: JW	DATE 8/03	PROJECT NAME	TITLE	DWG/PROJECT NO.	REV.
CHKD BY:			CX99xPRO78+xPRO78		
APP'D BY:				PAGE 1 OF 1	
			<b>LOCKNETICS</b> Security Engineering		