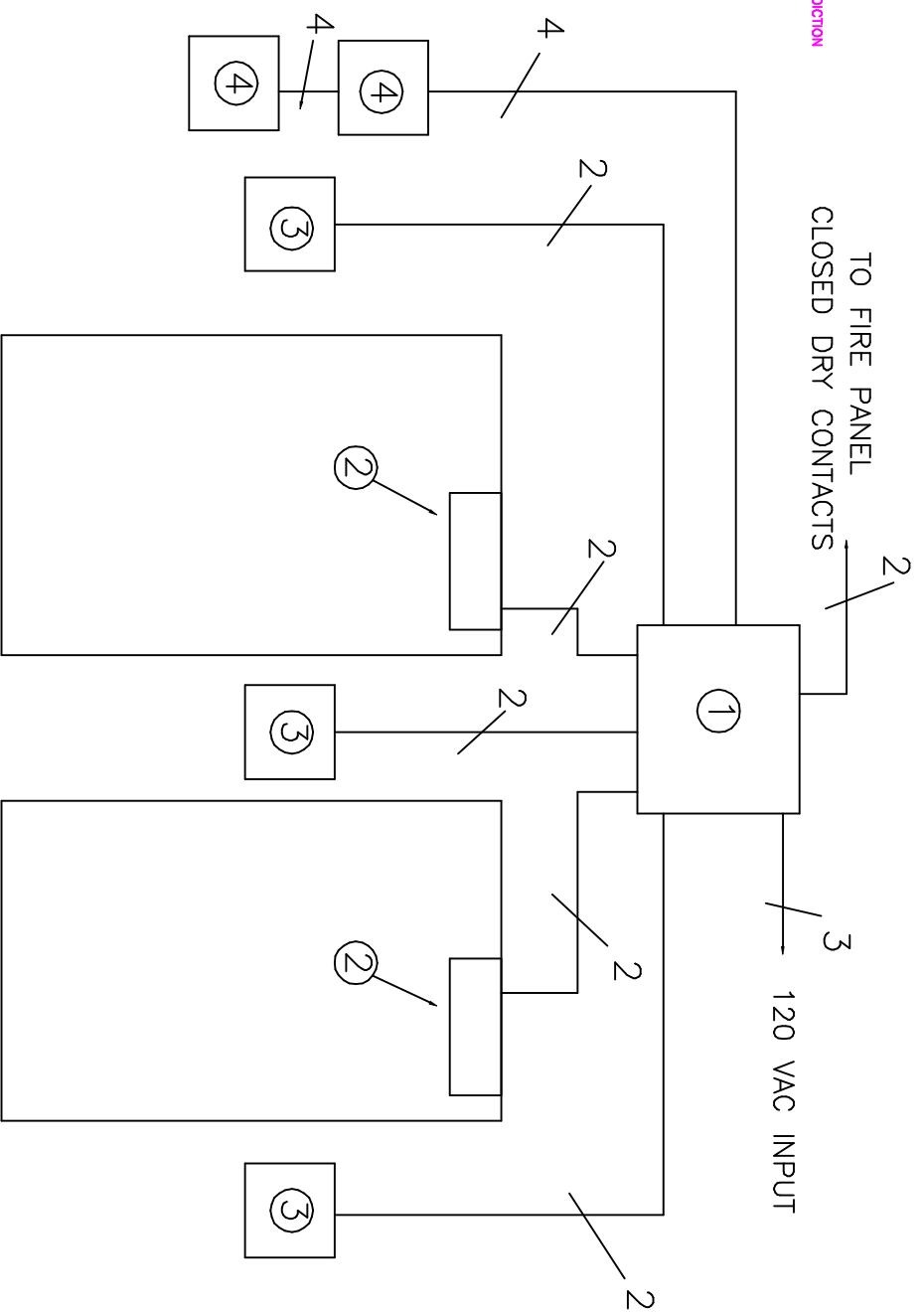


- NOTES**
1. ALL LOW VOLTAGE WIRING TO BE STRANDED, MULTI-CONDUCTOR, COLOR CODED WIRE WITHOUT SPLICES. A MINIMUM OF TWO SPARE CONDUCTORS IS RECOMMENDED. WIRING TO CONFORM TO APPLICABLE NATIONAL, STATE AND LOCAL ELECTRICAL CODES FOR CLASS 2 FIRE PROTECTION SIGNALING AND CONTROL DEVICES.
  2. REFER TO DOCUMENTATION SUPPLIED WITH PRODUCT FOR IMPORTANT INFORMATION REQUIRED FOR PROPER INSTALLATION.
  3. \_\_\_\_\_ X UNUSED CONDUCTORS, INSULATE AND STORE.
  4. \_\_\_\_\_ X USE 12 GAUGE WIRE FOR RED & BLACK E.L. POWER WIRES
  5. \_\_\_\_\_ X 200 FEET MAXIMUM WIRE RUN
  6. THIS WIRING INFORMATION IS BEING PROVIDED BASED ON CUSTOMER SUPPLIED EQUIPMENT LIST AND FUNCTIONAL DESCRIPTION, AND MAY BE SUBJECT TO APPROVAL BY THE AUTHORITY HAVING JURISDICTION



ITEM	DESCRIPTION	PART NUMBER	QTY
1	POWER SUPPLY	505XEIR5	1
2	ELECTRIC LOCK	320+	2
3	PUSHBUTTON SWITCH	621AL	3
4	PUSHBUTTON SWITCH	621ALXAAxL2	2
5			
6			