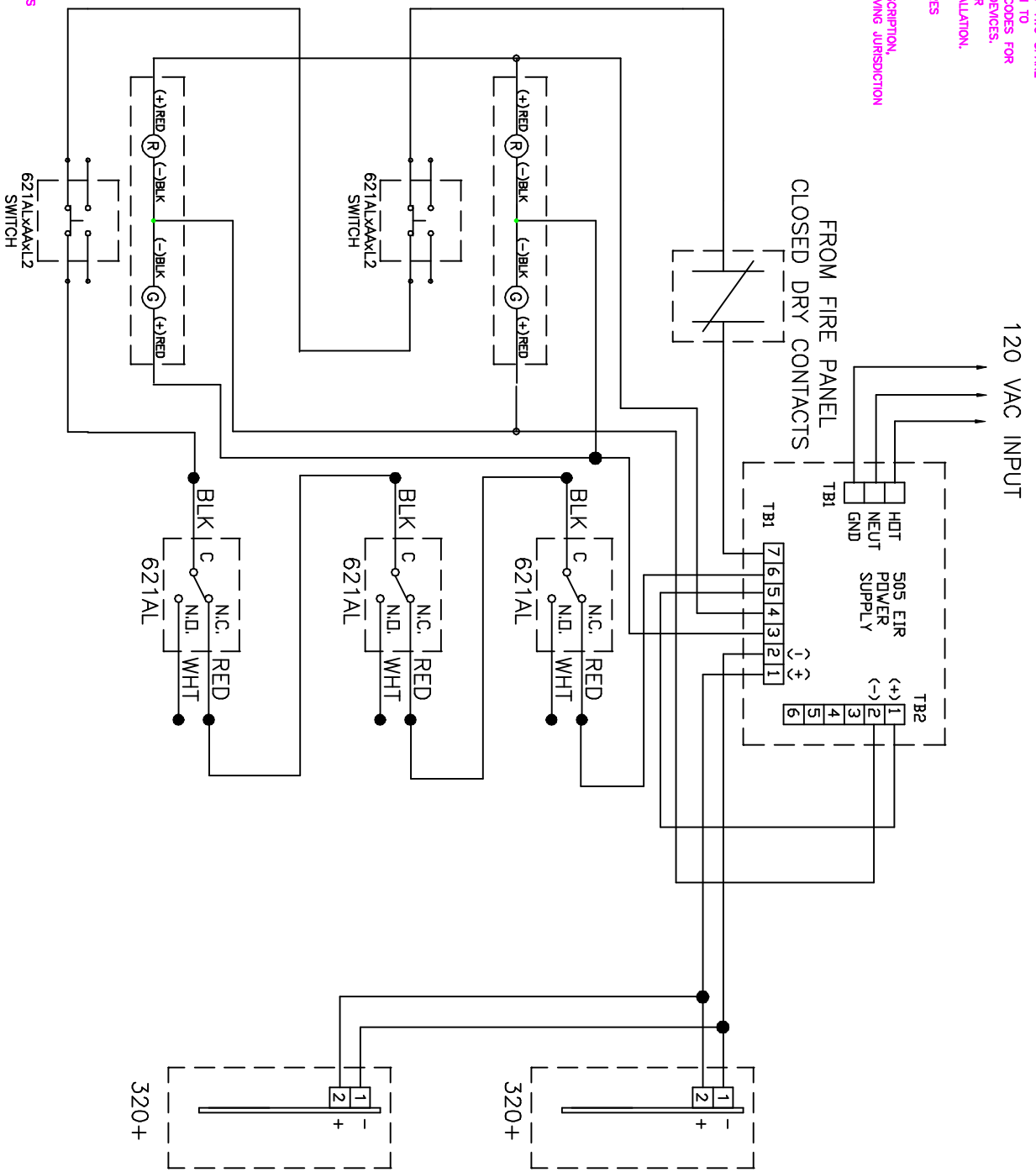


- NOTES
1. ALL LOW VOLTAGE WIRING TO BE STRANDED, MULTI-CONDUCTOR, COLOR CODED WIRE WITHOUT SPLICES. A MINIMUM OF TWO SPARE CONDUCTORS IS RECOMMENDED. WIRING TO CONFORM TO APPLICABLE NATIONAL, STATE AND LOCAL ELECTRICAL CODES FOR CLASS 2 FIRE PROTECTION, SIGNALING AND CONTROL DEVICES.
 2. REFER TO DOCUMENTATION SUPPLIED WITH PRODUCT FOR IMPORTANT INFORMATION REQUIRED FOR PROPER INSTALLATION.
 3. _____X UNUSED CONDUCTORS, INSULATE AND STORE.
 4. USE 12 GAUGE WIRE FOR RED & BLACK EL POWER WIRES
 5. THIS WIRING INFORMATION IS BEING PROVIDED BASED ON CUSTOMER SUPPLIED EQUIPMENT LIST AND FUNCTIONAL DESCRIPTION, AND MAY BE SUBJECT TO APPROVAL BY THE AUTHORITY HAVING JURISDICTION

SYSTEM OPERATION
 DOORS SHOWN CLOSED & SECURED
 ACTIVATION OF 621ALXAAXL2 SWITCHES WILL MAINTAIN LOCKS OPEN OR CLOSED
 ACTIVATION OF 621AL SWITCHES WILL MOMENTARY UNLOCK DOORS
 RED LIGHT = DOORS SECURED
 GREEN LIGHT = DOORS UNLOCKED
 ACTIVATION OF FIRE PANEL WILL RELEASE ALL LOCKS



DRAWN BY: JW DATE 1/04
 CHKD BY: APP'D BY:

PROJECT NAME
 IR SYSTEMIZER

TITLE
 BATHROOM WIRING



DWG./PROJECT NO.
 PAGE 1 OF 2
 REV.