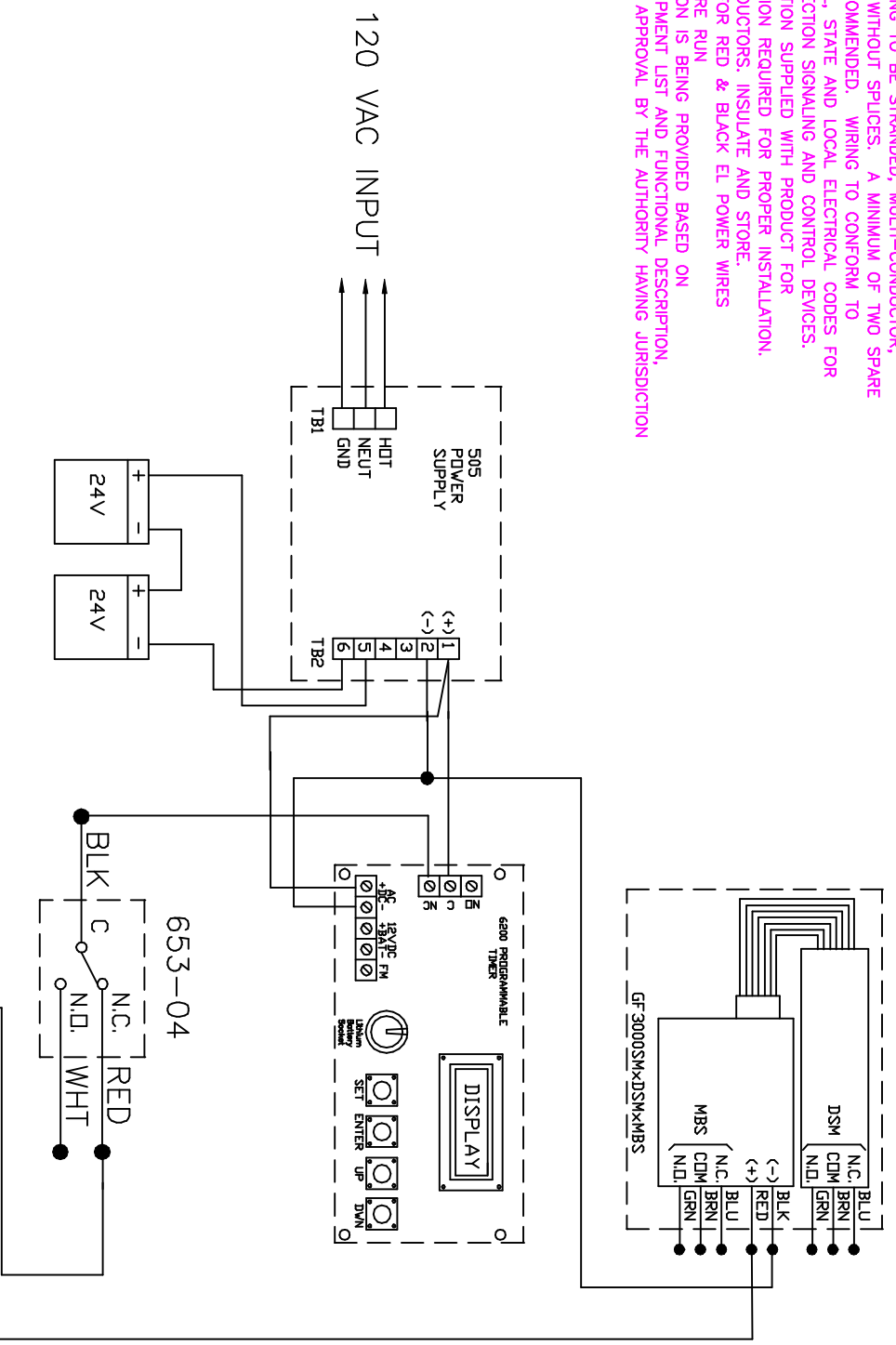


NOTES

1. ALL LOW VOLTAGE WIRING TO BE STRANDED, MULTI-CONDUCTOR, COLOR CODED WIRE WITHOUT SPLICES. A MINIMUM OF TWO SPARE CONDUCTORS IS RECOMMENDED. WIRING TO CONFORM TO APPLICABLE NATIONAL, STATE AND LOCAL ELECTRICAL CODES FOR CLASS 2 FIRE PROTECTION SIGNALING AND CONTROL DEVICES.
2. REFER TO DOCUMENTATION SUPPLIED WITH PRODUCT FOR IMPORTANT INFORMATION REQUIRED FOR PROPER INSTALLATION.
3. ~~UNUSED CONDUCTORS. INSULATE AND STORE.~~
4. USE 12 GAUGE WIRE FOR RED & BLACK EL POWER WIRES
5. THIS WIRING INFORMATION IS BEING PROVIDED BASED ON CUSTOMER SUPPLIED EQUIPMENT LIST AND FUNCTIONAL DESCRIPTION, AND MAY BE SUBJECT TO APPROVAL BY THE AUTHORITY HAVING JURISDICTION



SYSTEM OPERATION
 SYSTEM SHOWN WITH DOOR SECURED
 ACTIVATION OF 6200 TIMER WILL RELEASE DOOR FOR PRESET TIME
 KEY SWITCH WILL OVER RIDE WHEN THE SYSTEM IS ACTIVE
 DEPRESSING 672 BAR WILL ALLOW EGRESS
 SYSTEM SHOWN WIRED AT 24 VDC