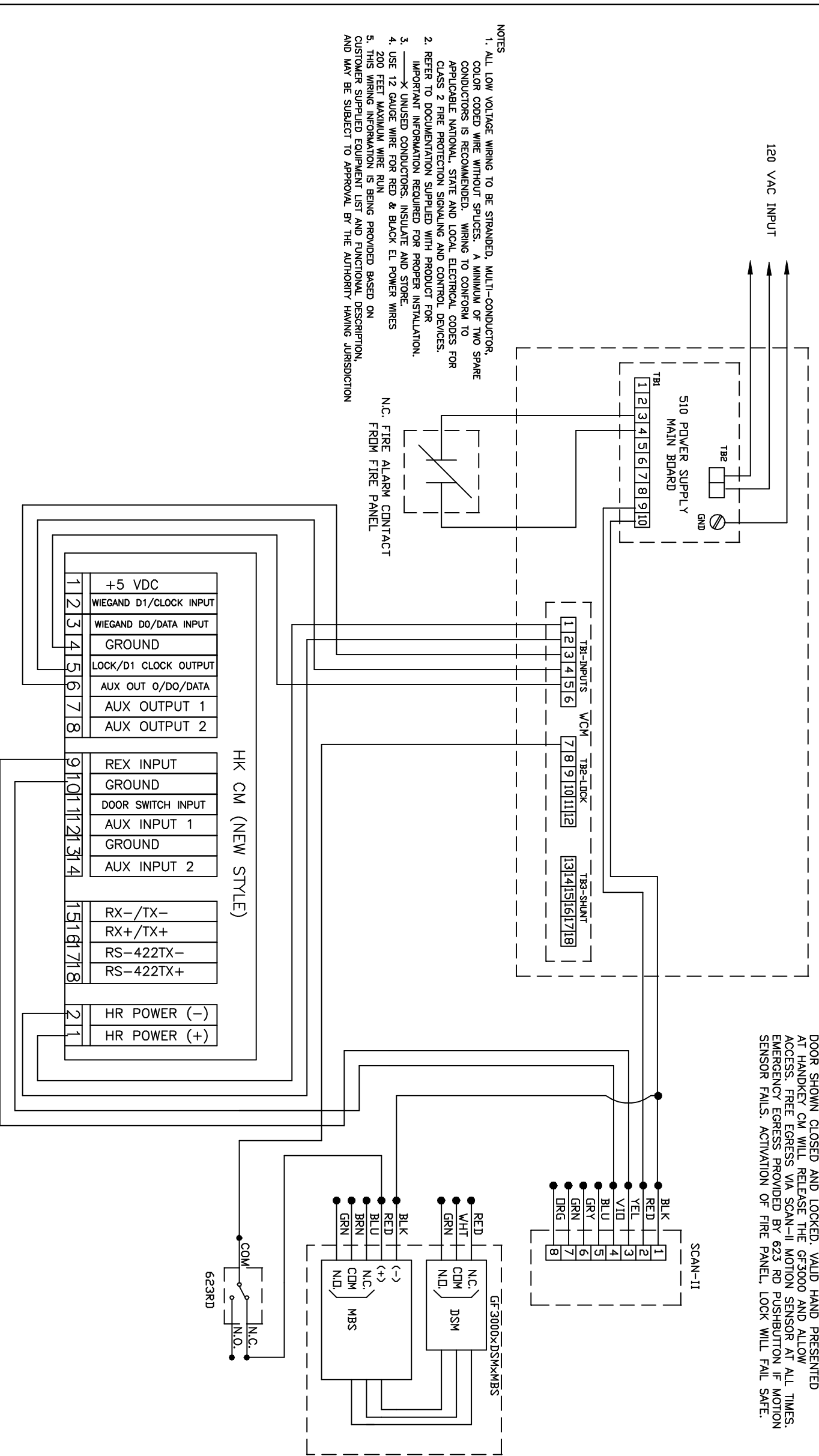


120 VAC INPUT



- NOTES
1. ALL LOW VOLTAGE WIRING TO BE STRANDED, MULTI-CONDUCTOR, COLOR CODED WIRE WITHOUT SPLICES. A MINIMUM OF TWO SPARE CONDUCTORS IS RECOMMENDED. WIRING TO CONFORM TO APPLICABLE NATIONAL, STATE AND LOCAL ELECTRICAL CODES FOR CLASS 2 FIRE PROTECTION SIGNALING AND CONTROL DEVICES.
 2. REFER TO DOCUMENTATION SUPPLIED WITH PRODUCT FOR IMPORTANT INFORMATION REQUIRED FOR PROPER INSTALLATION.
 3. ~~USE 12 GAUGE WIRE FOR RED & BLACK EL POWER WIRES~~
 4. ~~200 FEET MAXIMUM WIRE RUN~~
 5. THIS WIRING INFORMATION IS BEING PROVIDED BASED ON CUSTOMER SUPPLIED EQUIPMENT LIST AND FUNCTIONAL DESCRIPTION, AND MAY BE SUBJECT TO APPROVAL BY THE AUTHORITY HAVING JURISDICTION

SYSTEM DESCRIPTION:
 DOOR SHOWN CLOSED AND LOCKED. VALID HAND PRESENTED AT HANDKEY CM WILL RELEASE THE GF3000 AND ALLOW ACCESS. FREE EGRESS VIA SCAN-II MOTION SENSOR AT ALL TIMES. EMERGENCY EGRESS PROVIDED BY 623 RD PUSHBUTTON IF MOTION SENSOR FAILS. ACTIVATION OF FIRE PANEL, LOCK WILL FAIL SAFE.

DRAWN BY: TG
 CHKD BY:
 APP'D BY:

DATE: 10-03
 PROJECT NAME:
 IR - SYSTEMIZER
 TYPICAL WIRING

TITLE:
 510xwcm, HANDKEY-CM, GF3000, SCAN-II, 623RD



DWG./PROJECT NO.
 PAGE 1 OF 1

REV. A
 3/04