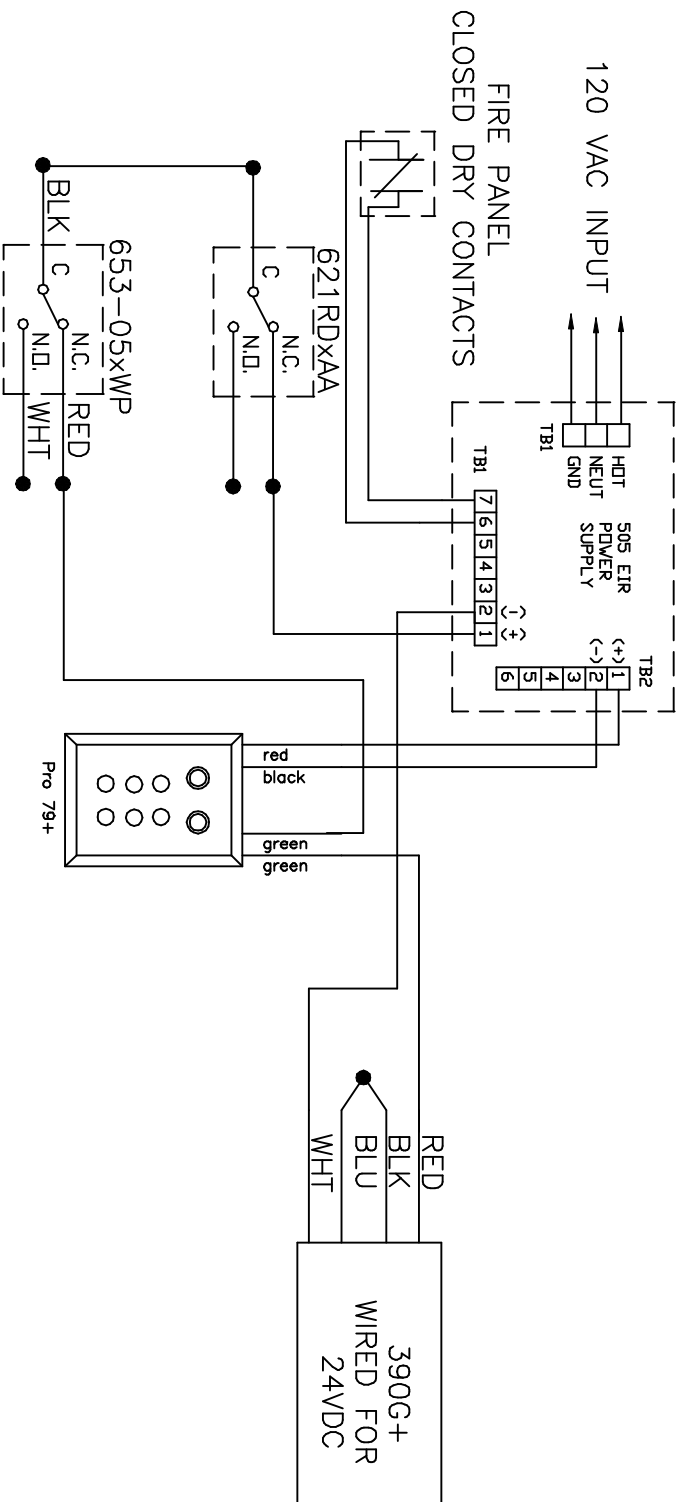


- NOTES**
1. ALL LOW VOLTAGE WIRING TO BE STRANDED, MULTI-CONDUCTOR, COLOR CODED WIRE WITHOUT SPLICES. A MINIMUM OF TWO SPARE CONDUCTORS IS RECOMMENDED. WIRING TO CONFORM TO APPLICABLE NATIONAL, STATE AND LOCAL ELECTRICAL CODES FOR CLASS 2 FIRE PROTECTION SIGNALING AND CONTROL DEVICES.
  2. REFER TO DOCUMENTATION SUPPLIED WITH PRODUCT FOR IMPORTANT INFORMATION REQUIRED FOR PROPER INSTALLATION.
  3. —X— UNUSED CONDUCTORS. INSULATE AND STORE.
  4. USE 12 GAUGE WIRE FOR RED & BLACK EL POWER WIRES
  5. 200 FEET MAXIMUM WIRE RUN
  5. THIS WIRING INFORMATION IS BEING PROVIDED BASED ON CUSTOMER SUPPLIED EQUIPMENT LIST AND FUNCTIONAL DESCRIPTION, AND MAY BE SUBJECT TO APPROVAL BY THE AUTHORITY HAVING JURISDICTION

**SYSTEM OPERATION**  
 DOOR SHOWN CLOSED AND SECURED  
 CORRECT CODE ENTERED INTO KEY PAD WILL ALLOW ACCESS  
 KEY SWITCH TO ALLOW EGRESS  
 PUSH BUTTON WILL ALLOW FREE ACCESS & EGRESS  
 TILL THE PUSH BUTTON IS DEPRESSED AGAIN  
 SYSTEM SHOWN WIRED FOR 24 VDC



DRAWN BY: JW DATE 12/03  
 CHKD BY:  
 APP'D BY:

PROJECT NAME  
 IR-SYSTEMIZER

TITLE  
 POINT TO POINT WIRING

**LOCKNETICS**  
 Security Engineering

DWG/PROJECT NO.  
 PAGE 1 OF 2

REV.