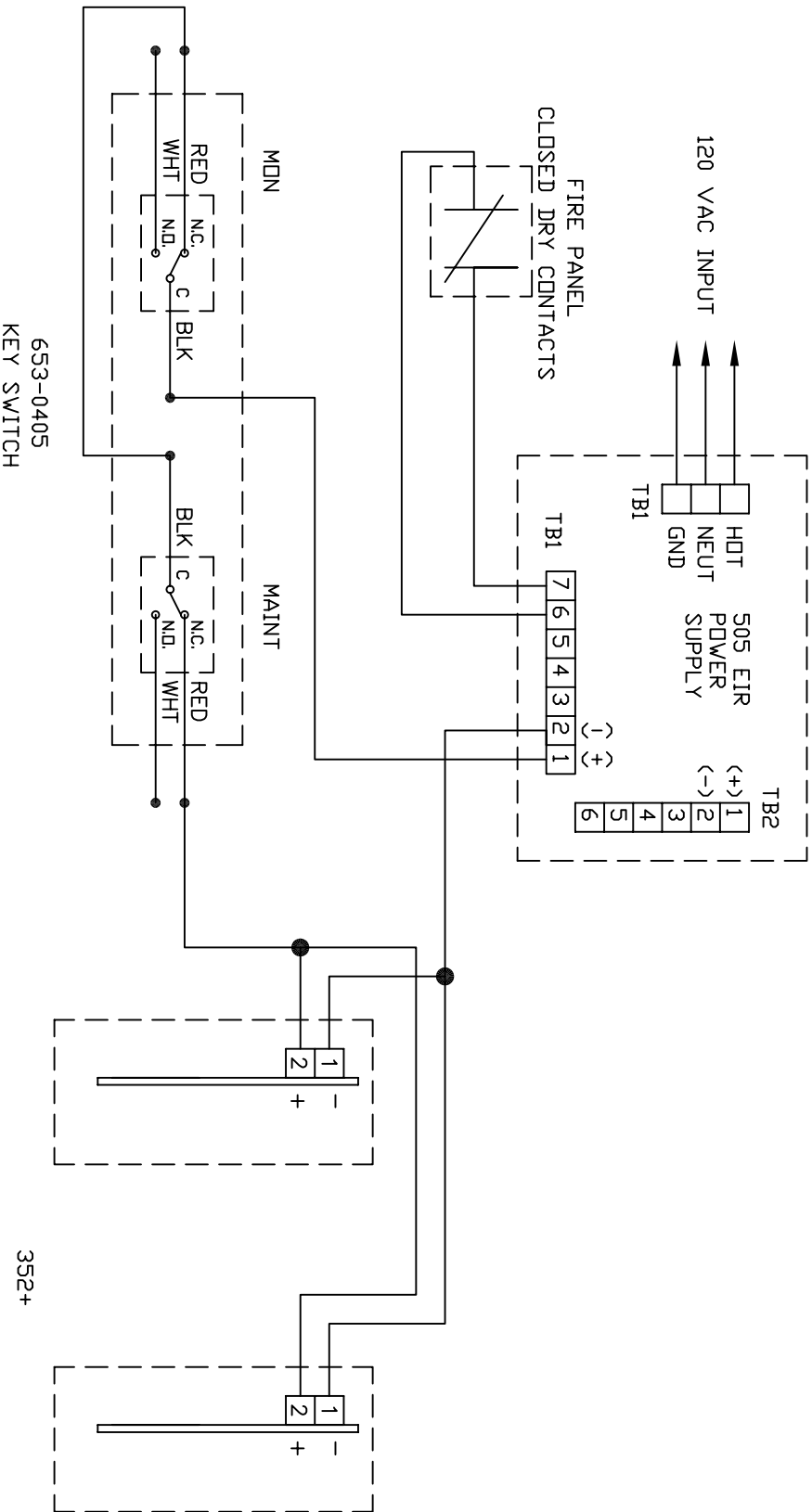


NOTES

1. ALL LOW VOLTAGE WIRING TO BE STRANDED, MULTI-CONDUCTOR, COLOR CODED WIRE WITHOUT SPLICES. A MINIMUM OF TWO SPARE CONDUCTORS IS RECOMMENDED. WIRING TO CONFORM TO APPLICABLE NATIONAL, STATE AND LOCAL ELECTRICAL CODES. FOR CLASS 2 FIRE PROTECTION SIGNALING AND CONTROL DEVICES.
  2. REFER TO DOCUMENTATION SUPPLIED WITH PRODUCT FOR IMPORTANT INFORMATION REQUIRED FOR PROPER INSTALLATION.
  3.      X UNUSED CONDUCTORS. INSULATE AND STORE.
  4. USE 12 GAUGE WIRE FOR RED & BLACK EL POWER WIRES
  5. 200 FEET MAXIMUM WIRE RUN
- THIS WIRING INFORMATION IS BEING PROVIDED BASED ON CUSTOMER SUPPLIED EQUIPMENT LIST AND FUNCTIONAL DESCRIPTION, AND MAY BE SUBJECT TO APPROVAL BY THE AUTHORITY HAVING JURISDICTION

SYSTEM OPERATION  
 DOORS SHOWN CLOSED AND SECURED  
 TURNING KEY SWITCH CLOCKWISE WILL MOMENTARILY RELEASE LOCK  
 TURNING KEY SWITCH COUNTERWISE WILL MAINTAIN UNLOCK  
 ACTIVATION OF FIRE PANEL WILL RELEASE LOCK



DRAWN BY: JW	DATE: 2/05	PROJECT NAME: IR-SYSTEMIZER	TITLE: TYPICAL WIRING	LOCKNETICS Security Engineering	DWG./PROJECT NO.	REV.
CHKD BY:			505EIR 352+ 653-0405		PAGE 1 OF 1	
APP'D BY:						