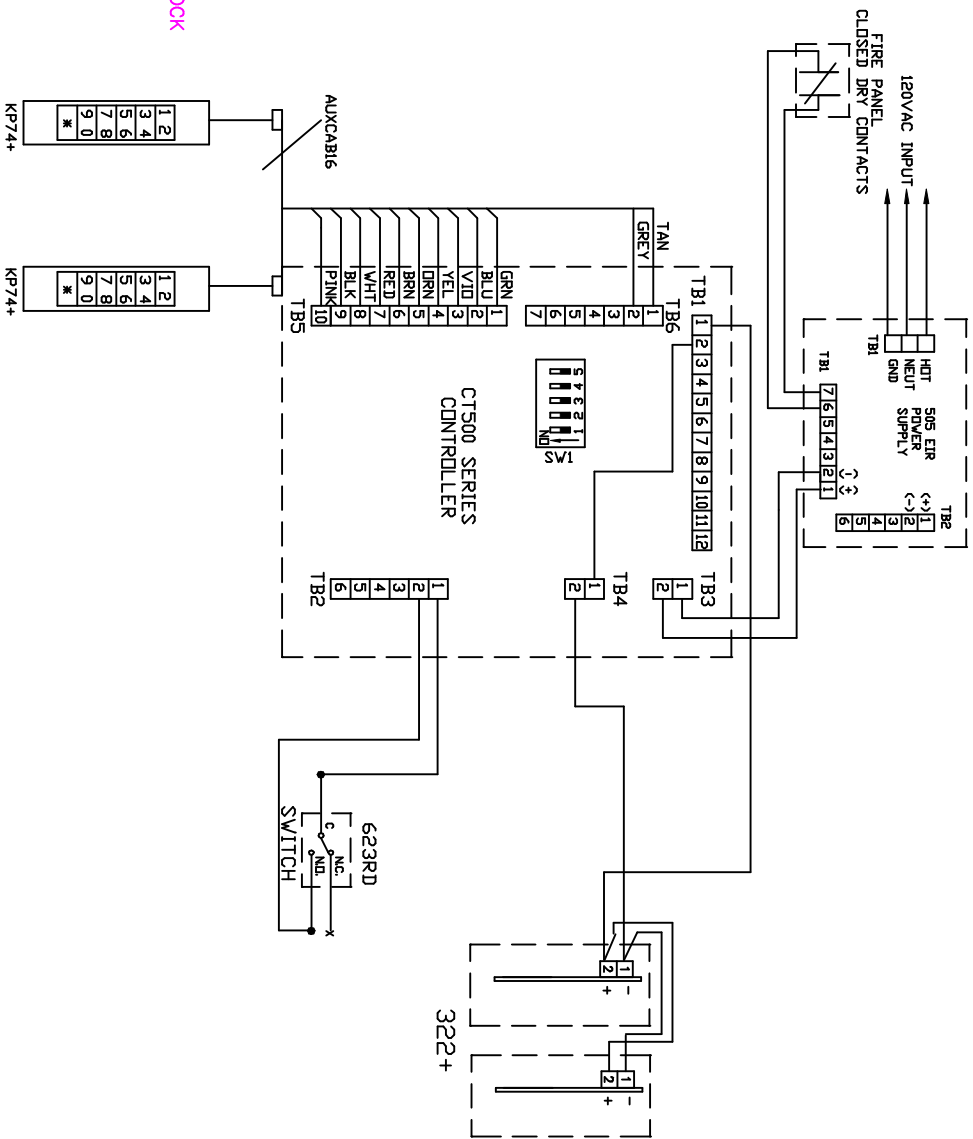


NOTES

1. ALL LOW VOLTAGE WIRING TO BE STRANDED, MULTI-CONDUCTOR, COLOR CODED WIRE WITHOUT SPLICES. A MINIMUM OF TWO SPARE CONDUCTORS IS RECOMMENDED. WIRING TO CONFORM TO APPLICABLE NATIONAL, STATE AND LOCAL ELECTRICAL CODES FOR CLASS 2 FIRE PROTECTION SIGNALING AND CONTROL DEVICES.
2. REFER TO DOCUMENTATION SUPPLIED WITH PRODUCT FOR IMPORTANT INFORMATION REQUIRED FOR PROPER INSTALLATION.
3. —X UNUSED CONDUCTORS. INSULATE AND STORE.



SYSTEM OPERATION
 DOORS SHOWN CLOSED AND SECURED
 ACTIVATION OF KEYPADS OR BUTTON WILL RELEASE LOCK
 MANUAL OVERRIDE WILL RELEASE DOORS
 ACTIVATION OF FIRE PANEL WILL RELEASE DOORS