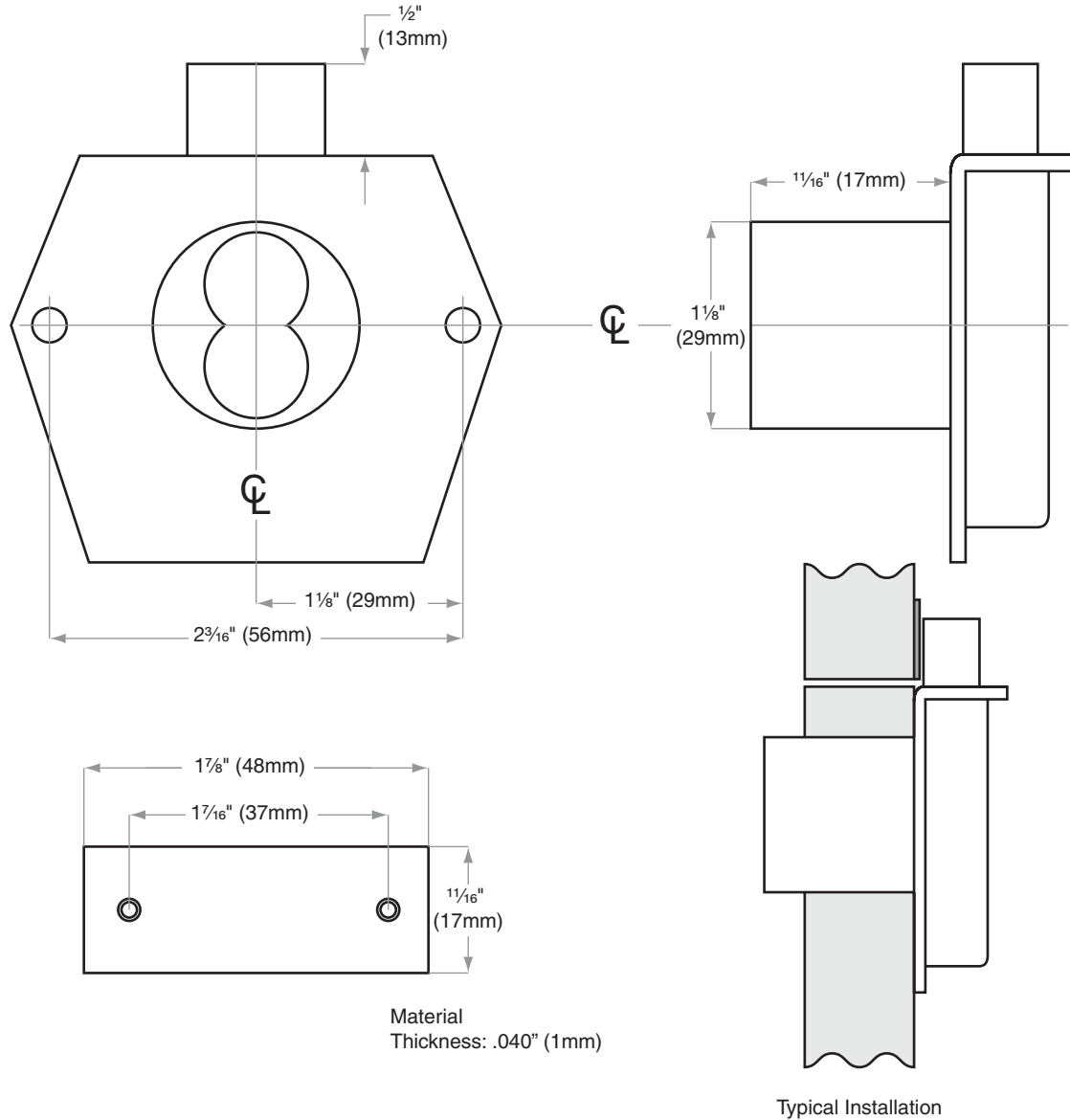


# CL-Series

## CL775

**Door Type:** Wood, Composite or Metal

**Door Thickness:**  $\frac{7}{8}$ " (22mm), 1" (25mm)  $1\frac{1}{8}$ " (29mm)



Dimensions shown in parentheses ( ) are in millimeters

**Job:** \_\_\_\_\_

**Date:** \_\_\_\_\_

**Door Thickness:** \_\_\_\_\_

**Remarks:** \_\_\_\_\_

TEMPLATE  
**CL892**