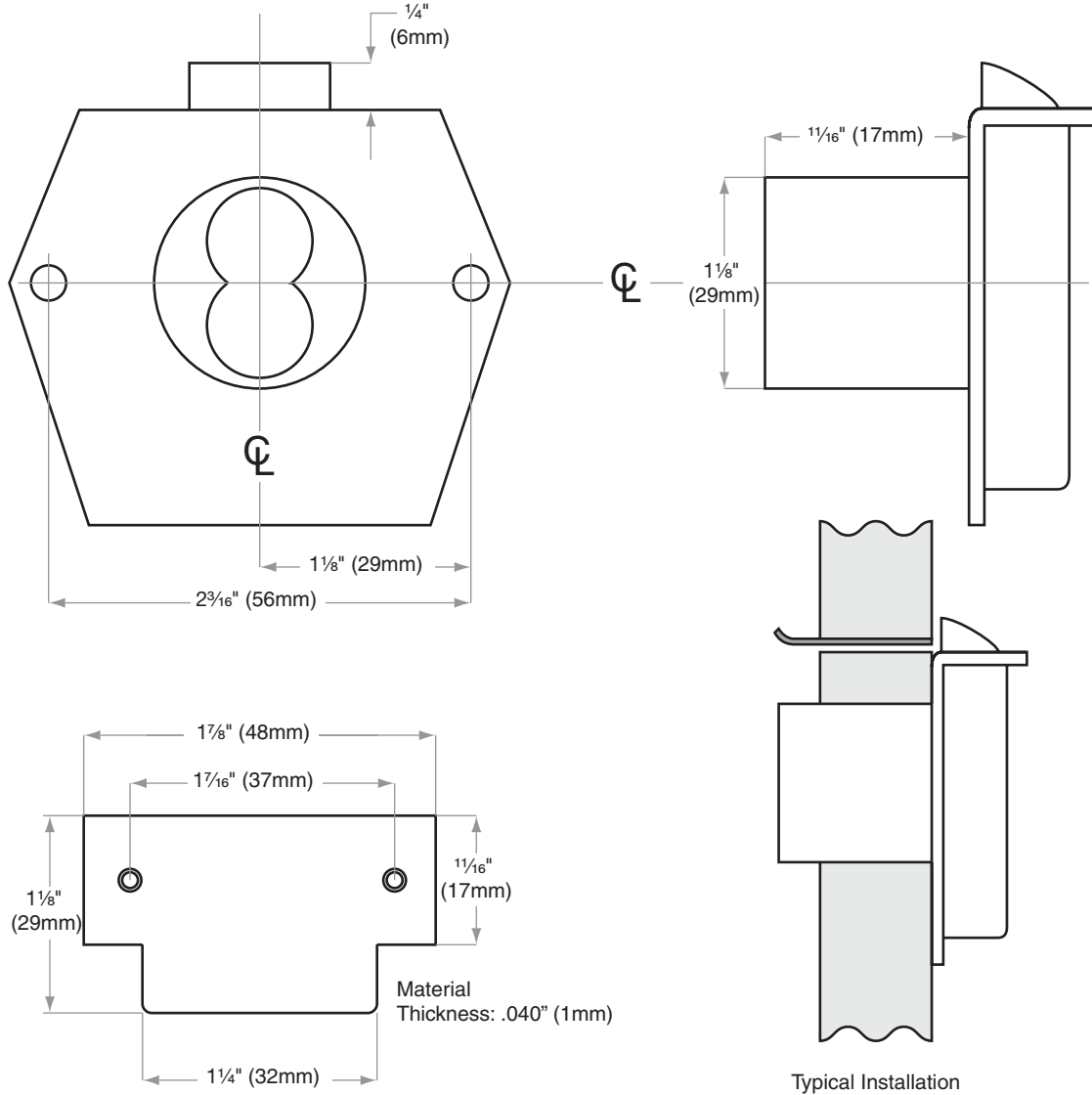


# CL-Series

## CL725

**Door Type:** Wood, Composite or Metal

**Door Thickness:** 7/8" (22mm), 1" (25mm) 1 1/8" (29mm)



Dimensions shown in parentheses ( ) are in millimeters

**Job:** \_\_\_\_\_

**Date:** \_\_\_\_\_

**Door Thickness:** \_\_\_\_\_

**Remarks:** \_\_\_\_\_

**TEMPLATE  
CL891**