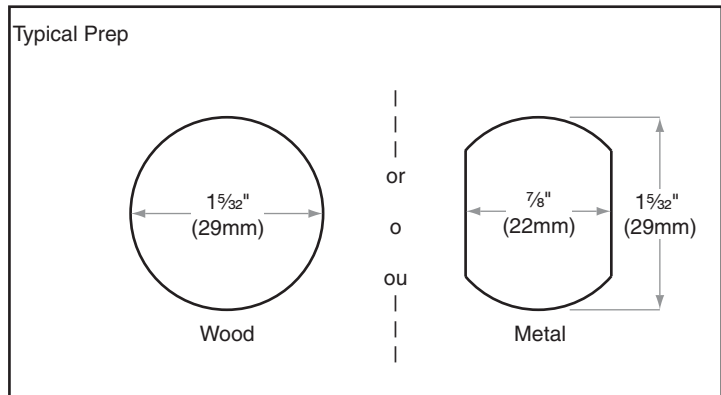
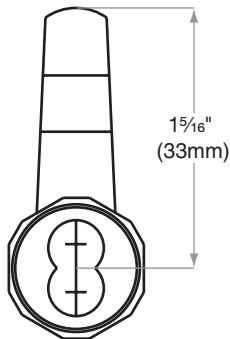
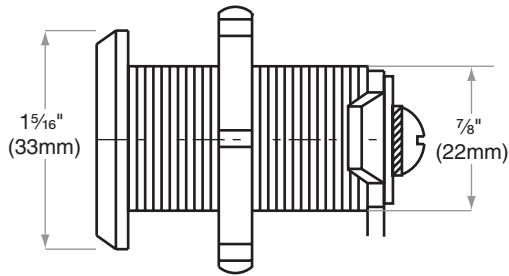
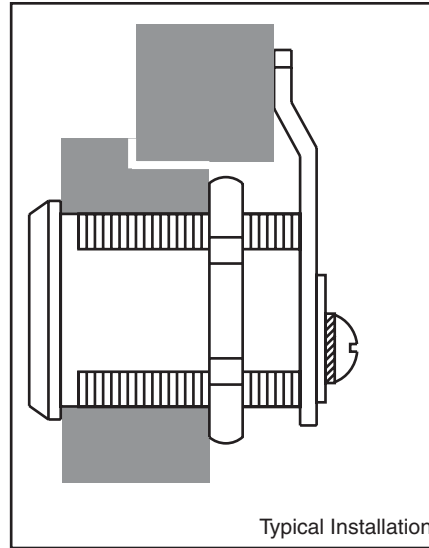
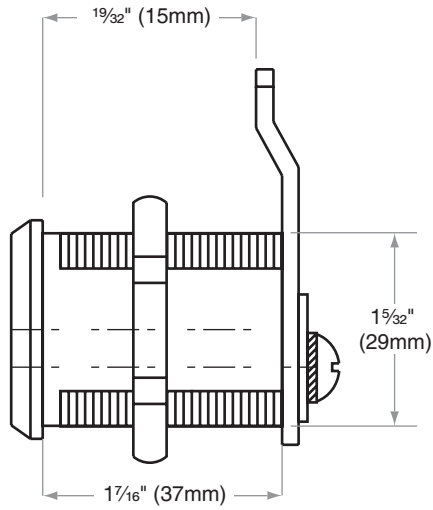


# CL-Series

## CL720, CL920, CL974

**Door Type:** Wood, Composite or Metal  
**Door Thickness:** 7/8" (22mm), 1" (25mm) 1 1/8" (29mm)



Dimensions shown in parentheses ( ) are in millimeters

**Job:** \_\_\_\_\_

**Date:** \_\_\_\_\_

**Door Thickness:** \_\_\_\_\_

**Remarks:** \_\_\_\_\_

**TEMPLATE**  
**CL889**