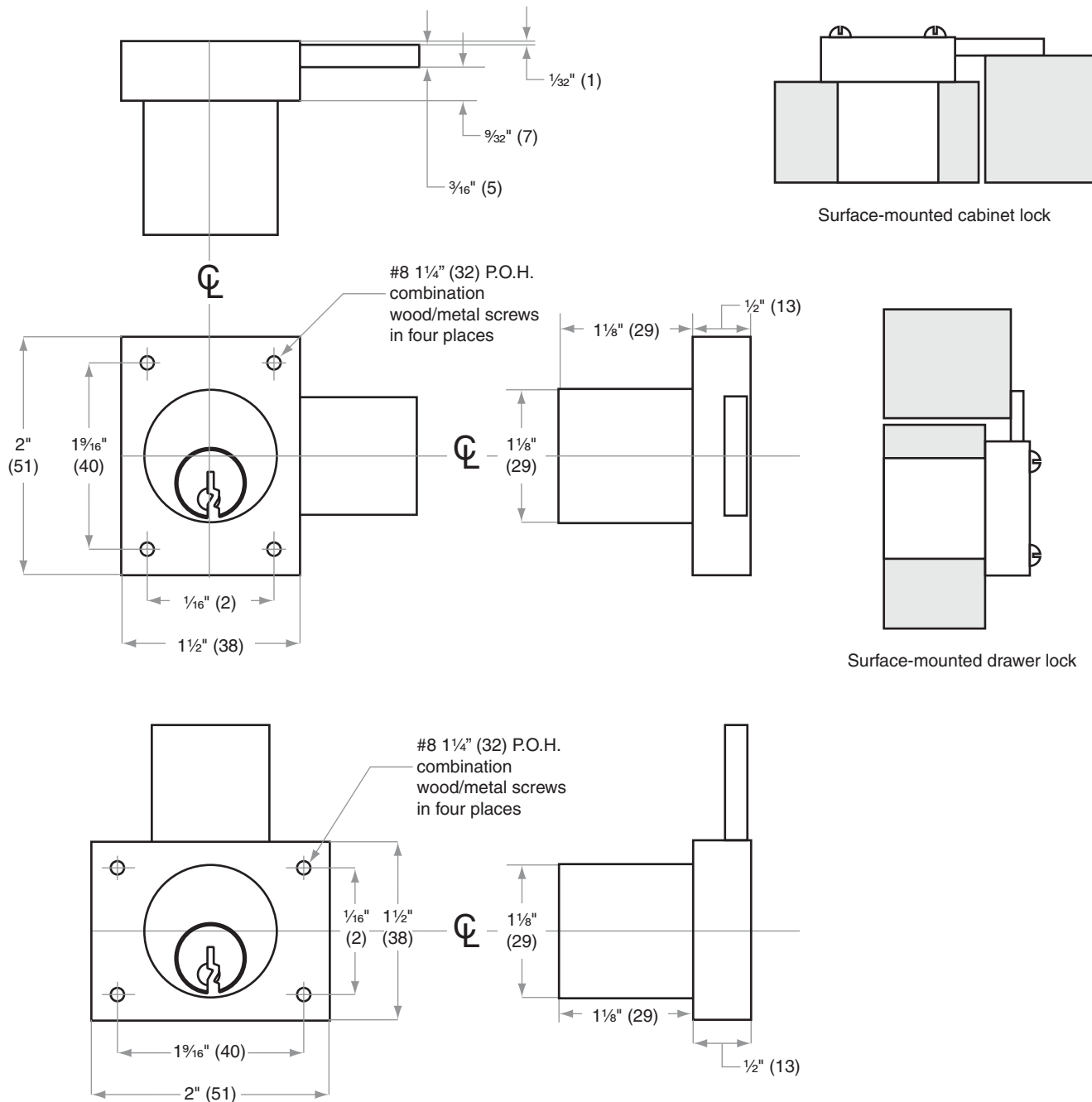


CL-Series

CL100, CL200, CL777, CL888

Door Type: Wood, Composite or Metal

Door Thickness: $\frac{7}{8}$ " (22mm), 1" (25mm) $1\frac{1}{8}$ " (29mm)



Dimensions shown in parentheses () are in millimeters

Job: _____

Date: _____

Door Thickness: _____

Remarks: _____

**TEMPLATE
CL888**