

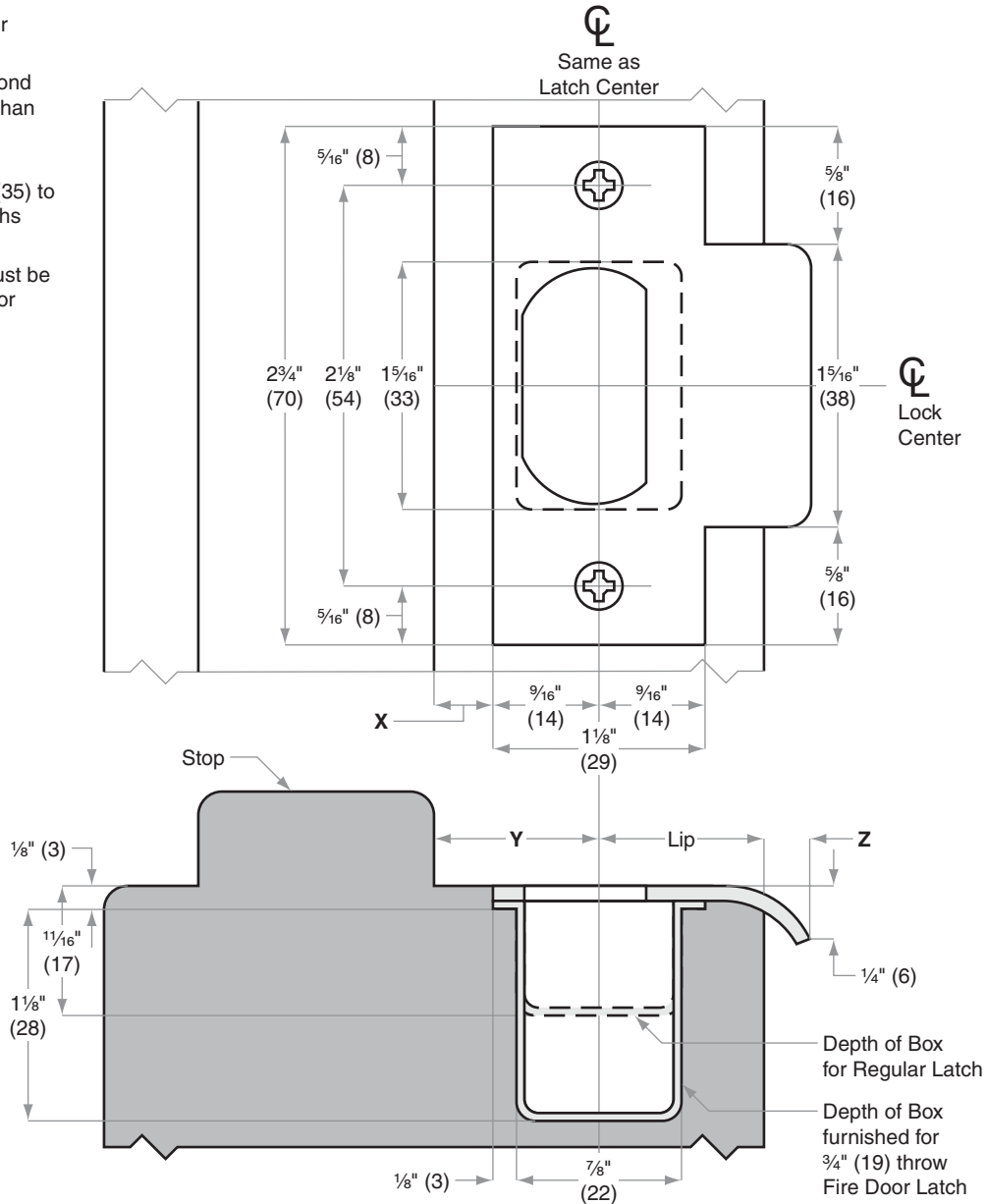
Strikes

10-001, 10-013, 10-016, 10-019

- Jamb Type:** Wood
Style: T-Strike, Square Corner
Standard for: A-Series | B250-Series | S-Series
Optional for: AL-Series | F-Series | D-Series Knobs | ND-Series Levers

NOTE:

1. Dimensions X, Y and Z are variables dependent on door thickness
2. Curved strike extension beyond jamb at Z must not be less than $\frac{3}{16}$ " (5) to ensure proper functioning of latch bolt
3. $1\frac{1}{8}$ " (29) Lip length for $1\frac{3}{8}$ " (35) to $1\frac{3}{4}$ " (44) doors. Other lengths available
4. Strike location on frames must be adjusted for thickness of door silencers, when used



Dimensions shown in parentheses () are in millimeters

Job: _____
Date: _____
Door Thickness: _____
Remarks: _____

**TEMPLATE
J928**