

Strikes, Combination

10-257=10-092x10-027

Jamb Type: Wood

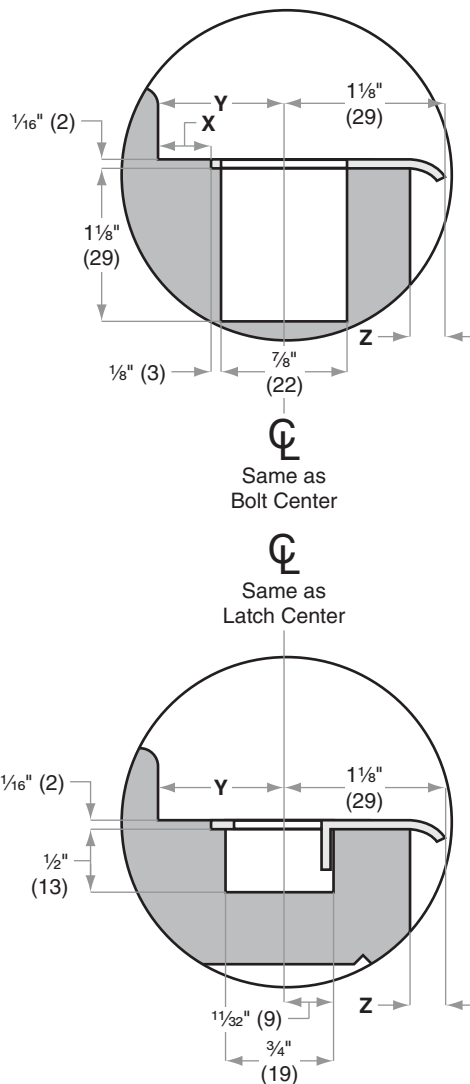
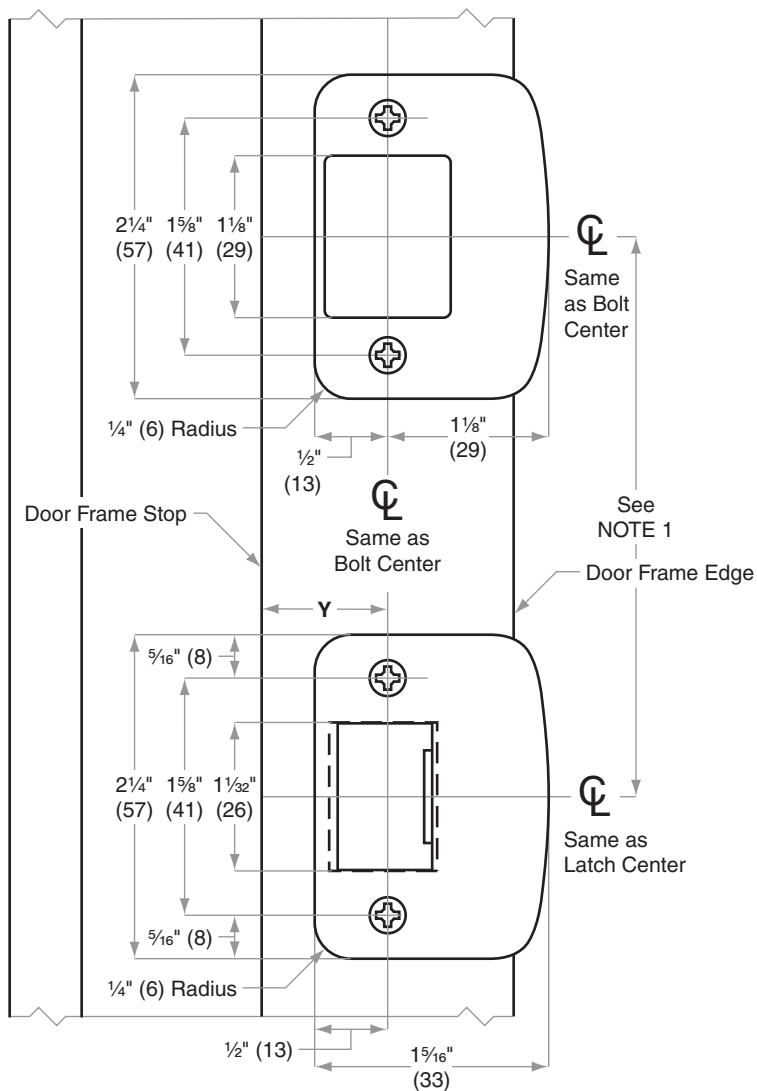
Style: Combination

Standard for:

Optional for: F/FA300-Series | H-Series | S200-Series

NOTE:

1. 4" (102) For H- and S200-Series
4" (102) minimum for F360/362
5½" (138) minimum for FA360/362
2. Dimensions X, Y and Z are variables dependent on door thickness
3. Strike location on frames must be adjusted for thickness of door silencers when used



Dimensions shown in parentheses () are in millimeters

Job: _____

Date: _____

Door Thickness: _____

Remarks: _____

**TEMPLATE
J914**