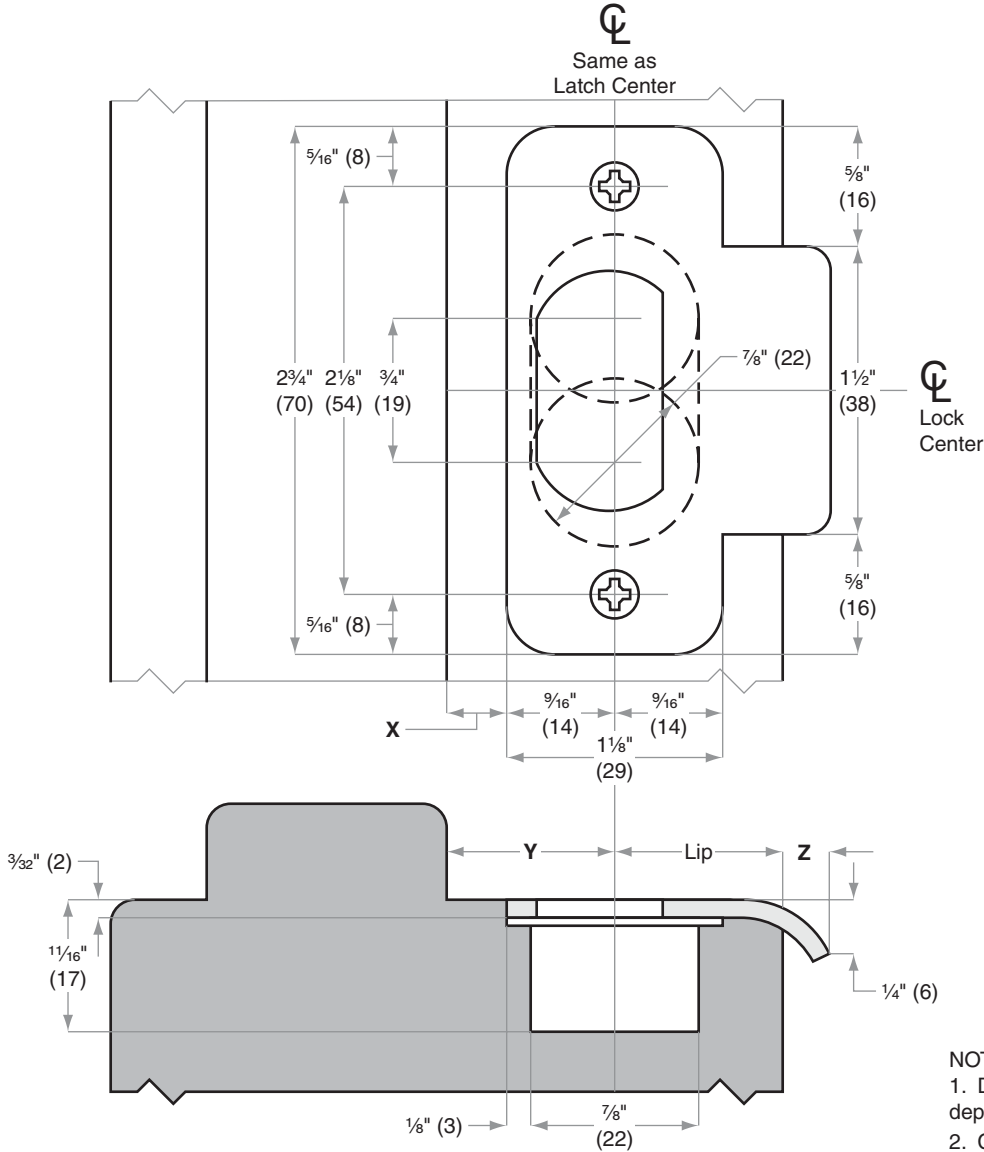


Strikes

10-004

Jamb Type: Wood
Style: T-Strike, Round Corner, 1/4" (6mm) Radius
Standard for:
Optional for: A-Series | B250-Series



- NOTE:**
1. Dimensions X, Y and Z are variables dependent on the door thickness used
 2. Curved strike extension beyond jamb at Z must not be less than 3/16" (5) to ensure proper functioning of latch bolt
 3. 1 1/8" (29) Lip length for 1 3/8" (35) to 1 3/4" (44) doors. Other lengths available
 4. Strike location on frames must be adjusted for thickness of door silencers when used

Dimensions shown in parentheses () are in millimeters

Job: _____
Date: _____
Door Thickness: _____
Remarks: _____

**TEMPLATE
J456**