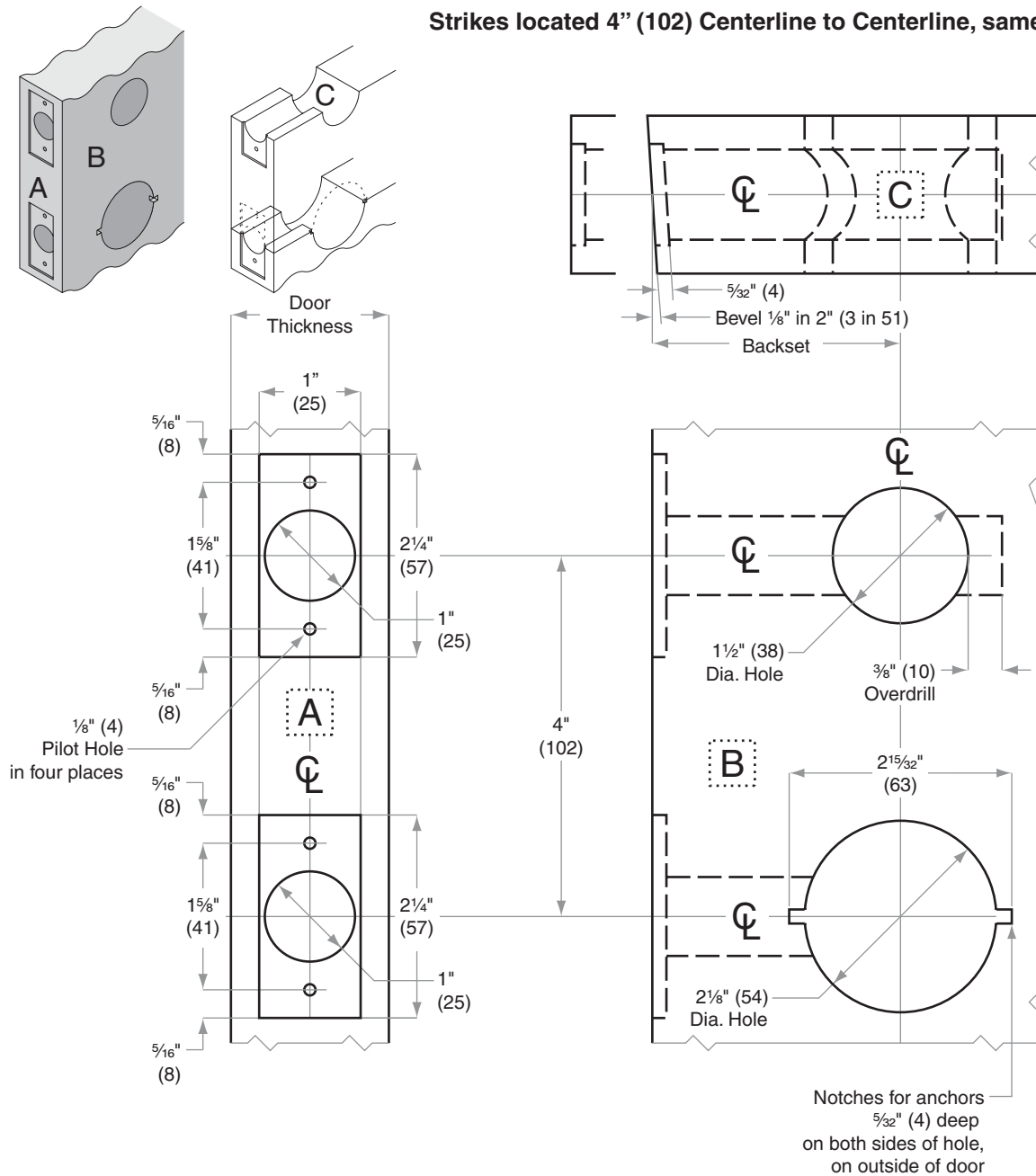


S200-Series

S210, S251, S270, S280

| | |
|------------------------|--|
| Door Type: | Wood or Composite, Flat or Beveled |
| Door Thickness: | 1 3/8" (35mm)–2" (51mm) |
| Faceplate: | Square Corner, 1" (25mm) wide |
| Backsets: | S883-C, 2 3/8" (60mm) S883-D, 2 3/4" (70mm) S883-F, 5" (127mm) |

Strikes located 4" (102) Centerline to Centerline, same as Latch and Bolt



Dimensions shown in parentheses () are in millimeters

Job: _____

Date: _____

Door Thickness: _____

Remarks: _____

TEMPLATE
S883