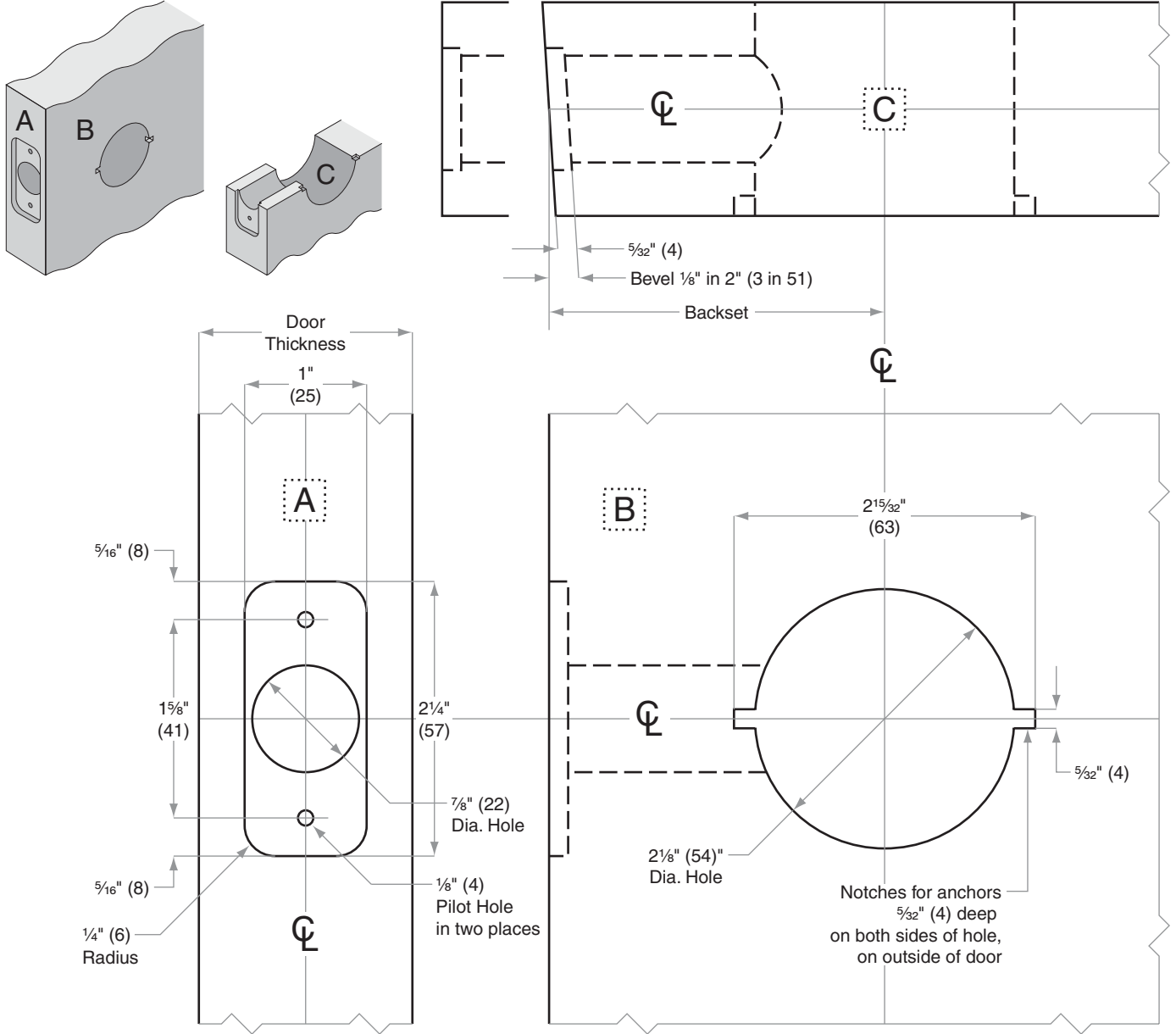


# S-Series

## S10-S80

- Door Type:** Wood or Composite, Flat or Beveled
- Door Thickness:** 1 3/8" (35mm)–2" (51mm) except S40D: 1 3/8" (35mm)–1 7/8" (47mm)
- Faceplate:** Round Corner, 1/4" (6mm) Radius, 1" (25mm) wide
- Backsets:** S880-C, 2 3/8" (60mm) | S880-D, 2 3/4" (70mm) | S880-F, 5" (127mm)



Dimensions shown in parentheses ( ) are in millimeters

**Job:** \_\_\_\_\_

**Date:** \_\_\_\_\_

**Door Thickness:** \_\_\_\_\_

**Remarks:** \_\_\_\_\_

**TEMPLATE  
S880**