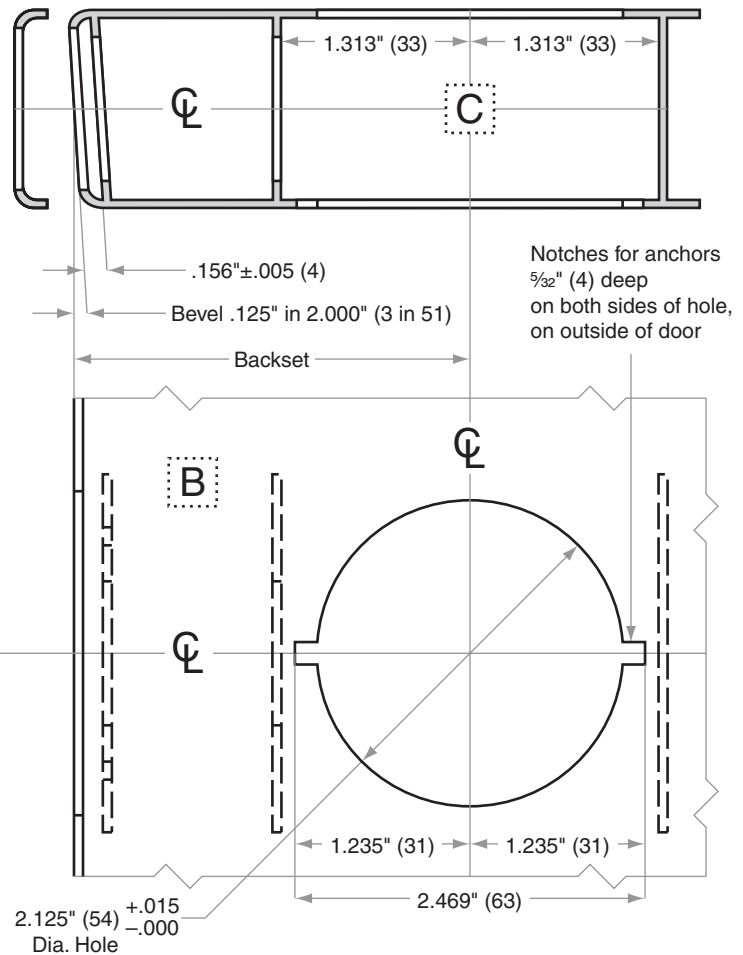
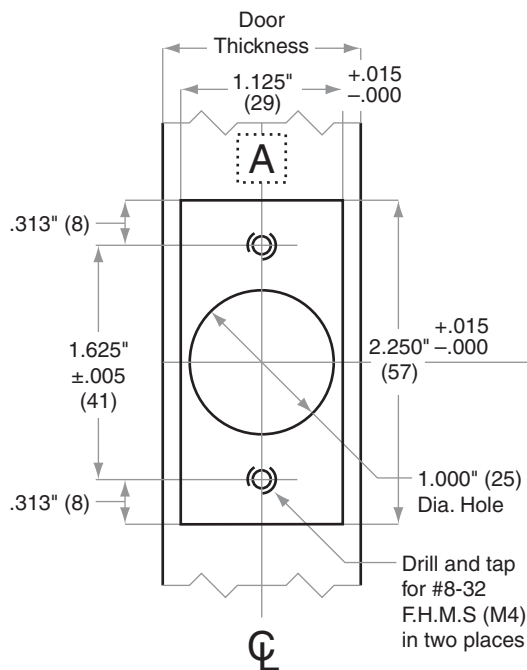
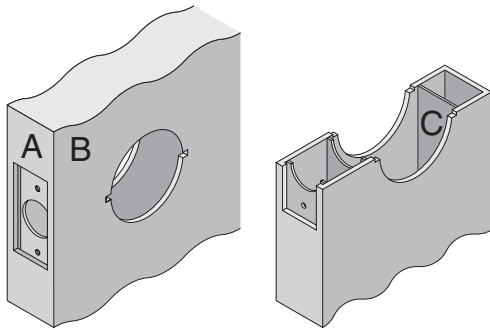


S-Series

S10-S80

Door Type:	Metal, Flat or Beveled
Door Thickness:	1 3/8" (35mm)–2" (51mm) except S40D: 1 3/8" (35mm)–1 7/8" (47mm)
Faceplate:	Square Corner, 1 1/8" (29mm) wide
Backsets:	S879-C, 2 3/8" (60mm) S879-D, 2 3/4" (70mm) S879-F, 5" (127mm)

For metal door installations, suitable reinforcement is required to support latch in center of door and to prevent lateral movement



Dimensions shown in parentheses () are in millimeters

Job: _____

Date: _____

Door Thickness: _____

Remarks: _____

TEMPLATE
S879