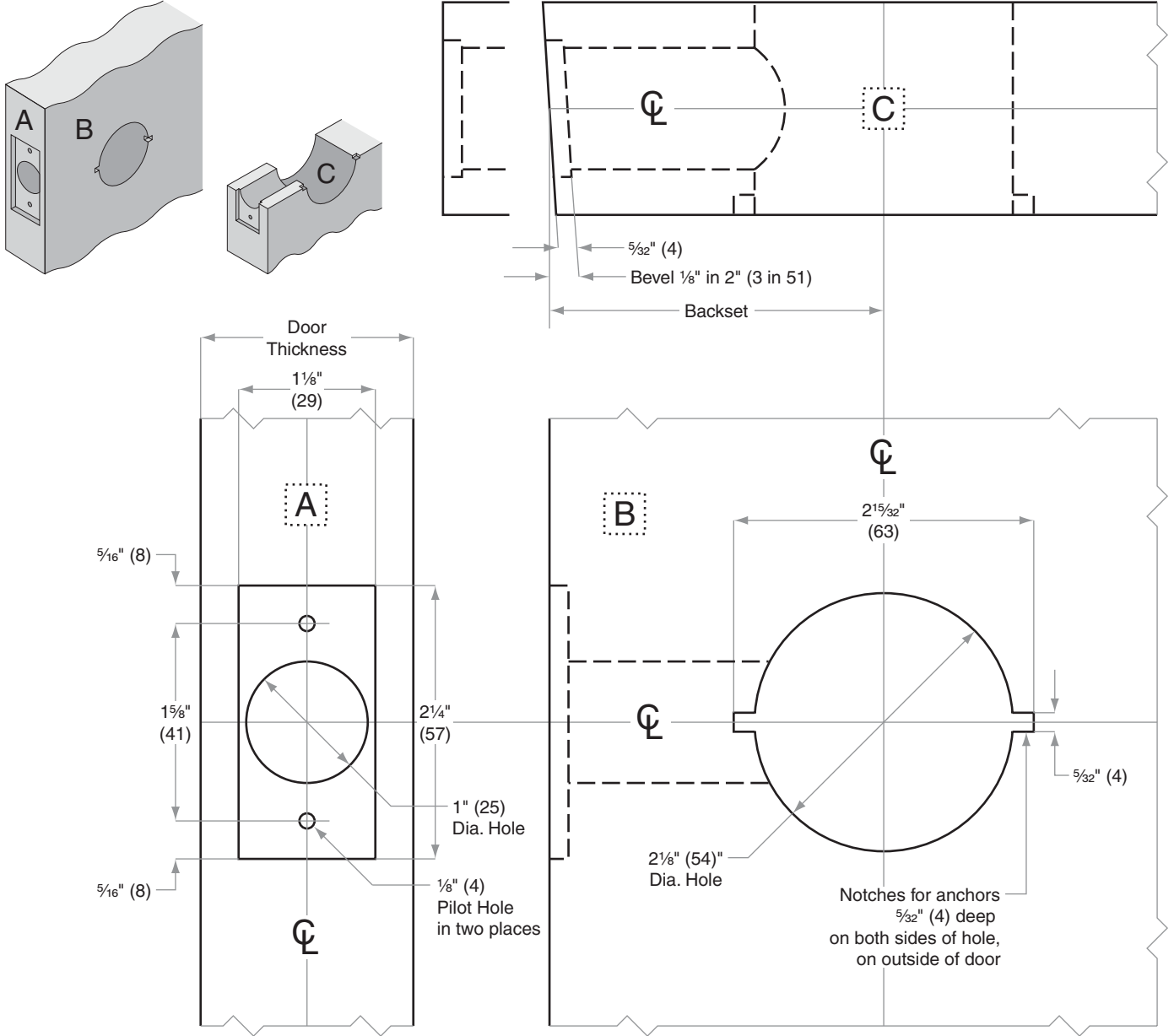


# S-Series

## S10-S80

<b>Door Type:</b>	Wood or Composite, Flat or Beveled
<b>Door Thickness:</b>	1 3/8" (35mm)–2" (51mm) except S40D: 1 3/8" (35mm)–1 7/8" (47mm)
<b>Faceplate:</b>	Square Corner, 1 1/8" (29mm) wide
<b>Backsets:</b>	S878-C, 2 3/8" (60mm)   S878-D, 2 3/4" (70mm)   S878-F, 5" (127mm)



Dimensions shown in parentheses ( ) are in millimeters

**Job:** \_\_\_\_\_

**Date:** \_\_\_\_\_

**Door Thickness:** \_\_\_\_\_

**Remarks:** \_\_\_\_\_

**TEMPLATE  
S878**