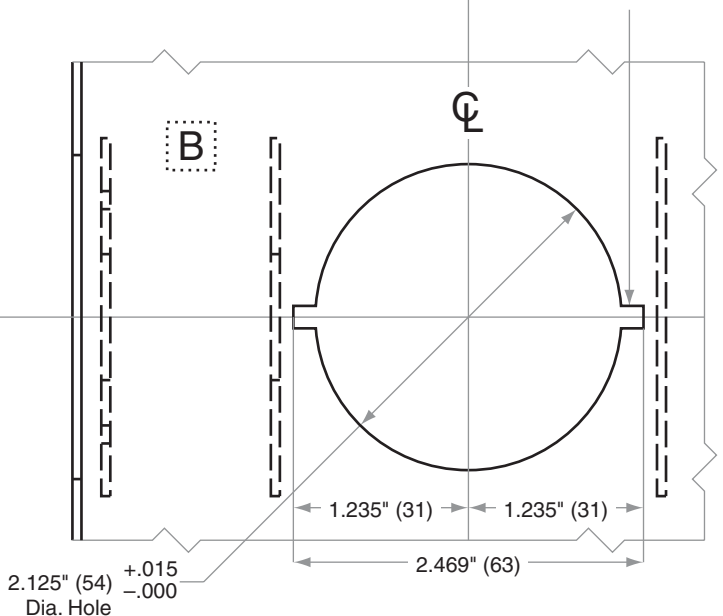
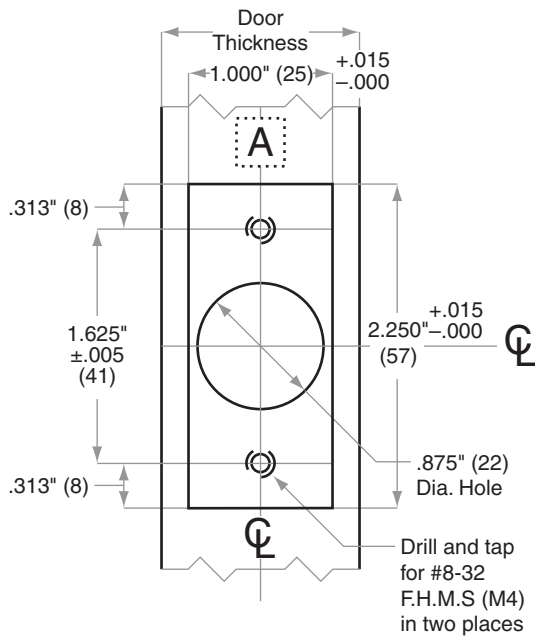
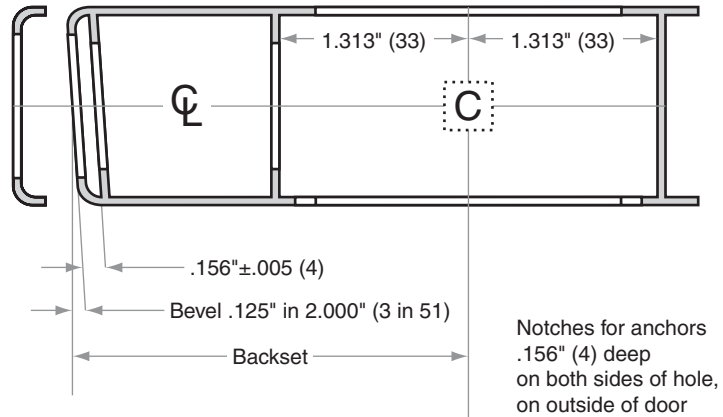
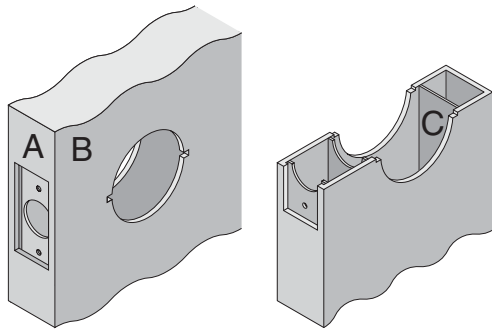


S-Series

S10-S80

Door Type:	Metal, Flat or Beveled
Door Thickness:	1 $\frac{3}{8}$ " (35mm)–2" (51mm) except S40D: 1 $\frac{3}{8}$ " (35mm)–1 $\frac{7}{8}$ " (47mm)
Faceplate:	Square Corner, 1" (25mm) wide
Backsets:	S877-C, 2 $\frac{3}{8}$ " (60mm) S877-D, 2 $\frac{3}{4}$ " (70mm) S877-F, 5" (127mm)

For metal door installations, suitable reinforcement is required to support latch in center of door and to prevent lateral movement



Dimensions shown in parentheses () are in millimeters

Job: _____

Date: _____

Door Thickness: _____

Remarks: _____

**TEMPLATE
S877**