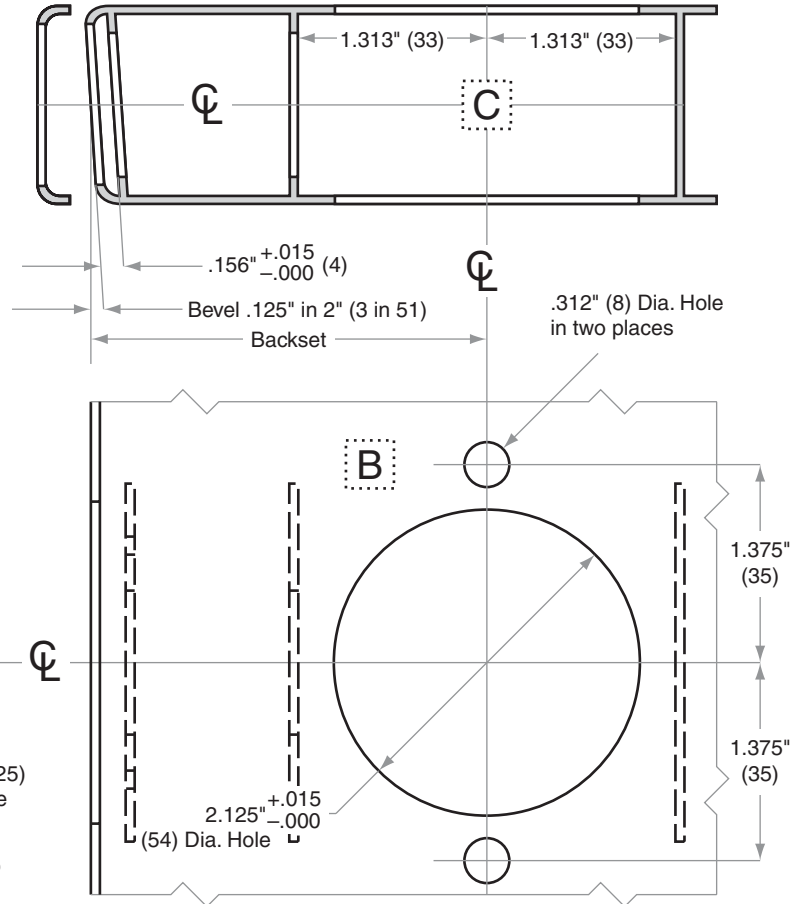
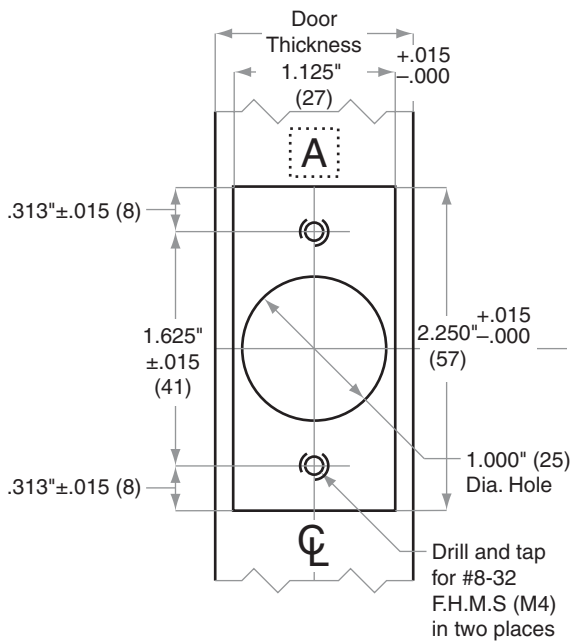
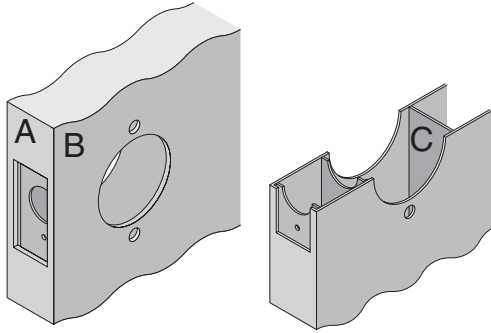


# AL-Series

## AL10-AL85

<b>Door Type:</b>	Metal, Flat or Beveled
<b>Door Thickness:</b>	1 $\frac{3}{8}$ " (35mm)–1 $\frac{7}{8}$ " (48mm)
<b>Faceplate:</b>	Square Corner, 1 $\frac{1}{8}$ " (29mm) wide
<b>Backsets:</b>	AL889-C, 2 $\frac{3}{8}$ " (60mm)   AL889-D, 2 $\frac{3}{4}$ " (70mm)   AL889-E, 3 $\frac{3}{4}$ " (95mm)   AL889-F, 5" (127mm)

For metal door installations, suitable reinforcement is required to support latch in center of door and to prevent lateral movement



Dimensions shown in parentheses ( ) are in millimeters

**Job:** \_\_\_\_\_

**Date:** \_\_\_\_\_

**Door Thickness:** \_\_\_\_\_

**Remarks:** \_\_\_\_\_

**TEMPLATE  
AL889**