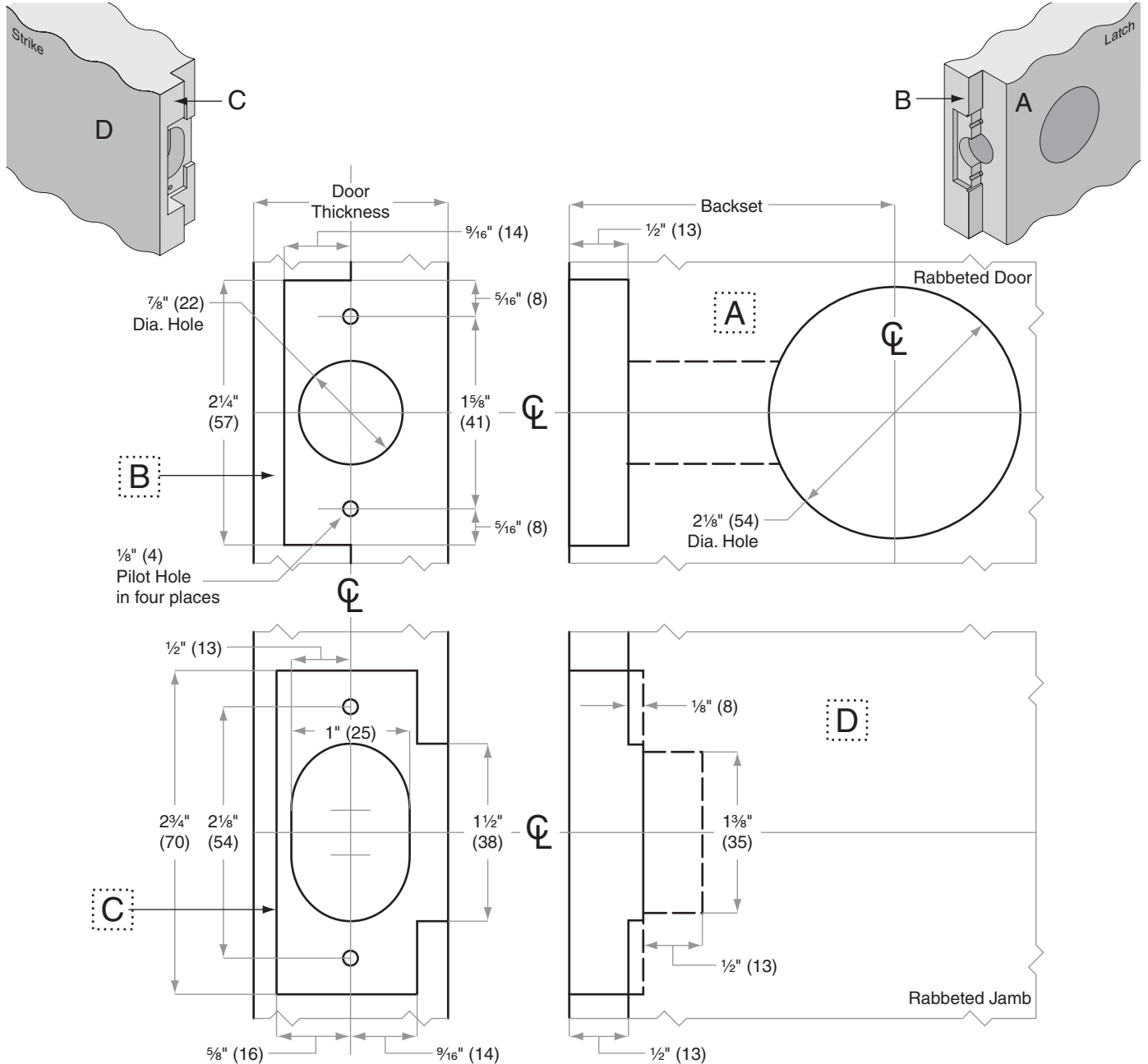


A-Series

A10–A85

- Door Type:** Wood or Composite, rabbeted, flat
- Door Thickness:** 1³/₈" (35mm)–1⁷/₈" (48mm)
- Faceplate:** Square Corner, 1¹/₈" (29mm) width, 1/2" (6mm) rabbeted and strike
- Backsets:** A408-C, 2³/₈" (60mm) | A408-D, 2³/₄" (70mm) | A408-E, 3³/₄" (95mm) | A408-F, 5" (127mm)



Dimensions shown in parentheses () are in millimeters

Job: _____

Date: _____

Door Thickness: _____

Remarks: _____

TEMPLATE
A408