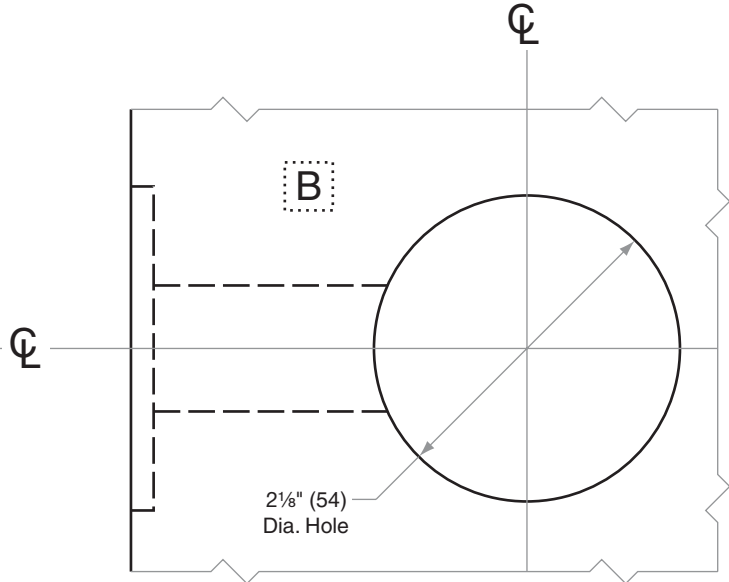
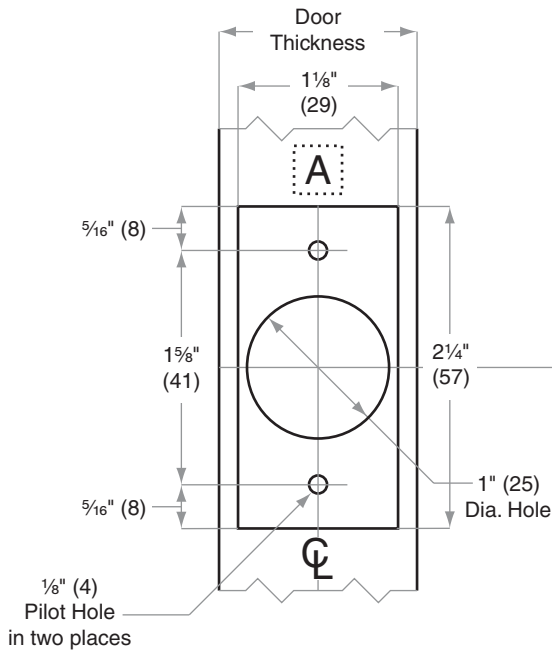
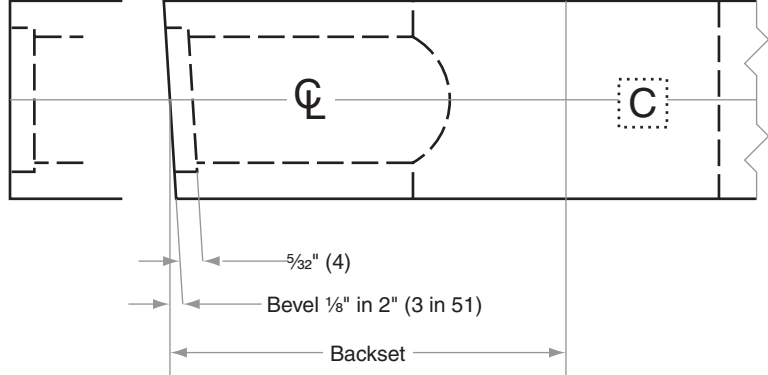
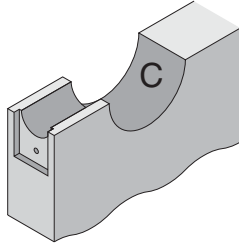
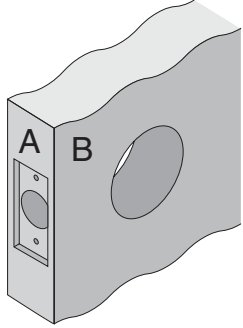


# A-Series

## A10–A85

- Door Type:** Wood or Composite, Flat or Beveled
- Door Thickness:** 1 $\frac{3}{8}$ " (35mm)–1 $\frac{7}{8}$ " (48mm)
- Faceplate:** Square Corner, 1 $\frac{1}{8}$ " (29mm) width
- Backsets:** A406-C, 2 $\frac{3}{8}$ " (60mm) | A406-D, 2 $\frac{3}{4}$ " (70mm) | A406-E, 3 $\frac{3}{4}$ " (95mm) | A406-F, 5" (127mm)



Dimensions shown in parentheses ( ) are in millimeters

**Job:** \_\_\_\_\_

**Date:** \_\_\_\_\_

**Door Thickness:** \_\_\_\_\_

**Remarks:** \_\_\_\_\_

**TEMPLATE  
A406**