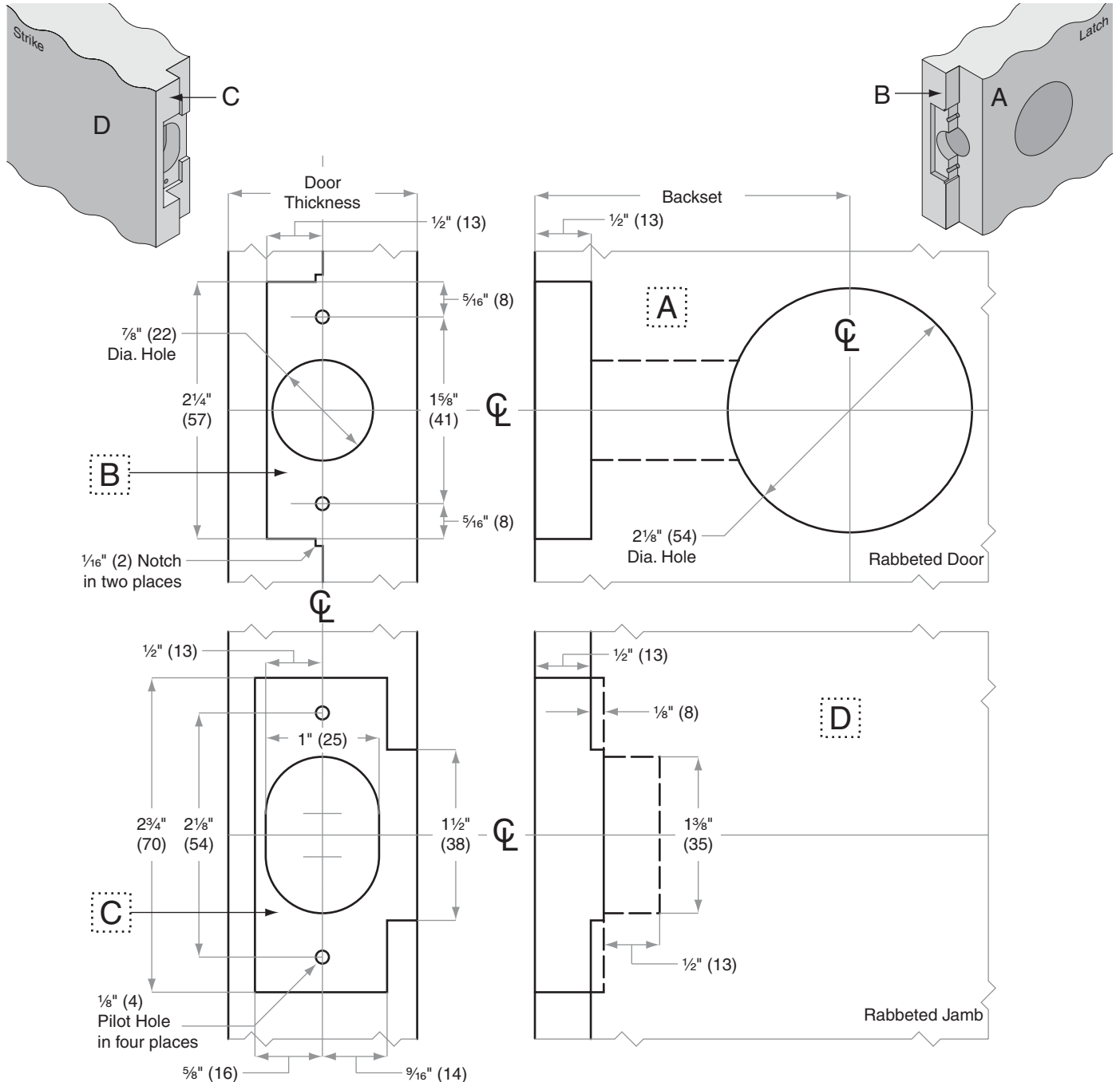


A-Series

A10-A85

- Door Type:** Wood or Composite, rabbeted, flat
- Door Thickness:** 1 $\frac{3}{8}$ " (35mm)–1 $\frac{7}{8}$ " (48mm)
- Faceplate:** Square Corner, 1" (25mm) width, $\frac{1}{2}$ " (6mm) rabbeted and strike
- Backsets:** A405-C, 2 $\frac{3}{8}$ " (60mm) | A405-D, 2 $\frac{3}{4}$ " (70mm) | A405-E, 3 $\frac{3}{4}$ " (95mm) | A405-F, 5" (127mm)



Dimensions shown in parentheses () are in millimeters

Job: _____

Date: _____

Door Thickness: _____

Remarks: _____

TEMPLATE
A405