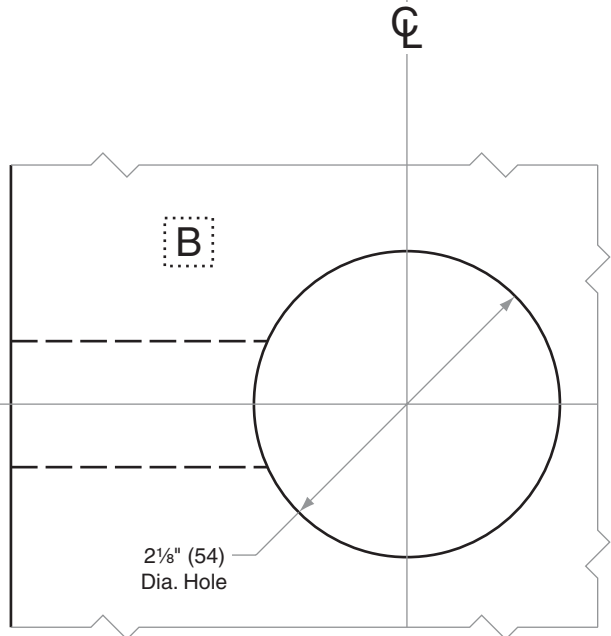
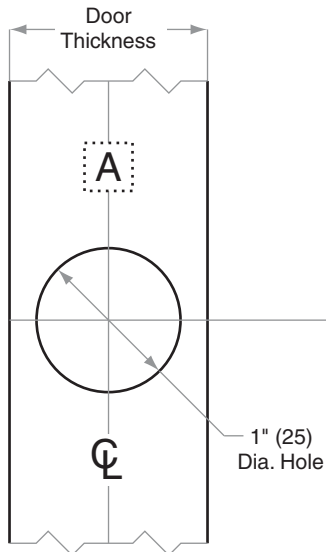
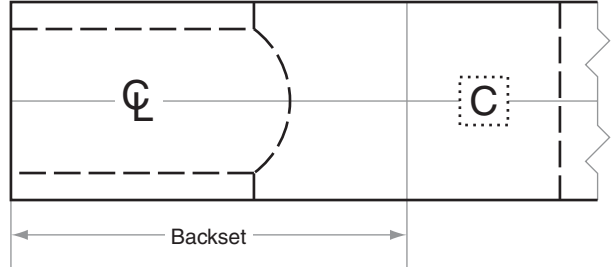
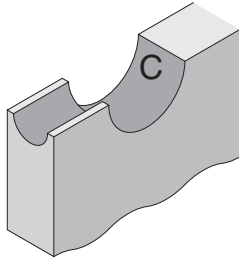
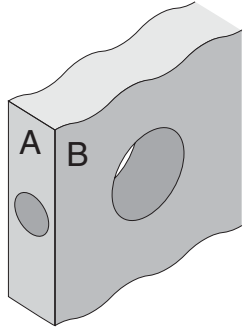


A-Series

A10–A85

Door Type:	Wood or Composite, Flat
Door Thickness:	1 $\frac{3}{8}$ " (35mm)–1 $\frac{7}{8}$ " (48mm)
Faceplate:	Circular Drive-In
Backsets:	A404-C, 2 $\frac{3}{8}$ " (60mm) A404-D, 2 $\frac{3}{4}$ " (70mm)



Dimensions shown in parentheses () are in millimeters

Job: _____

Date: _____

Door Thickness: _____

Remarks: _____

TEMPLATE
A404