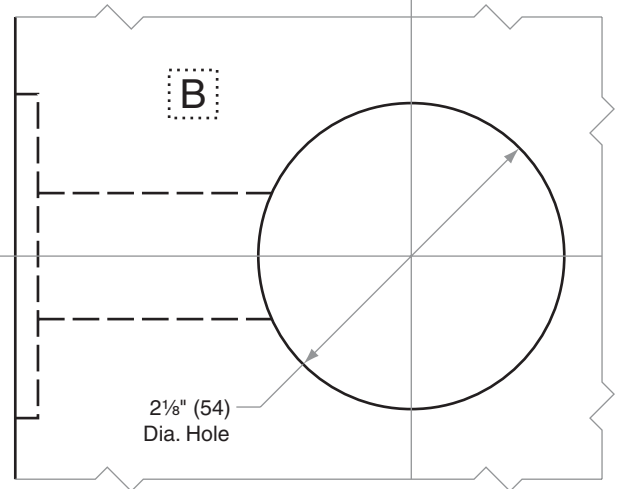
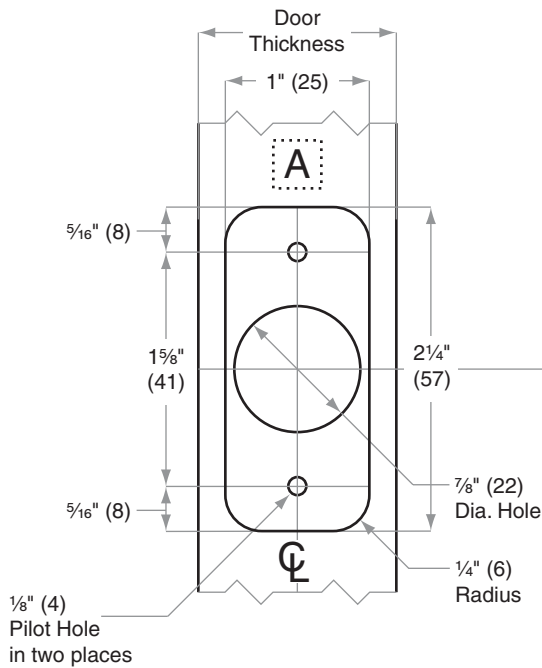
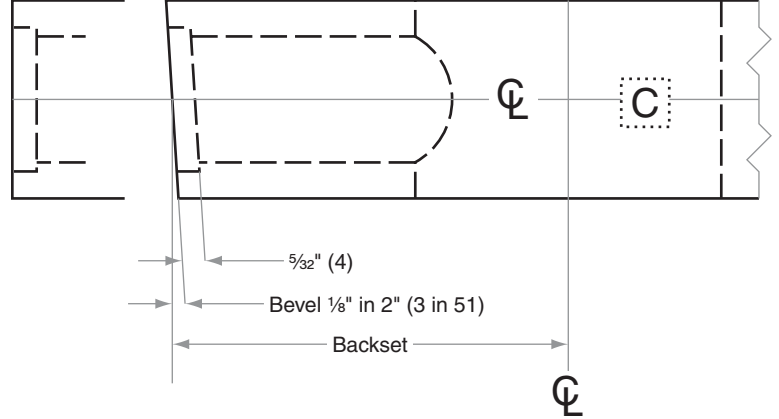
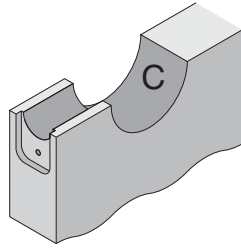
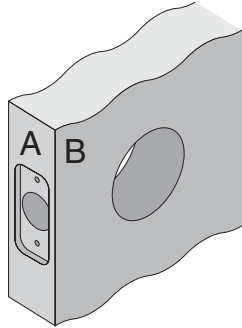


A-Series

A10–A85

- Door Type:** Wood or Composite, Flat or Beveled
- Door Thickness:** 1 $\frac{3}{8}$ " (35mm)–1 $\frac{7}{8}$ " (48mm)
- Faceplate:** Round Corner, $\frac{1}{4}$ " (6mm) radius, 1" (25mm) wide
- Backsets:** A403-C, 2 $\frac{3}{8}$ " (60mm) | A403-D, 2 $\frac{3}{4}$ " (70mm) | A403-E, 3 $\frac{3}{4}$ " (95mm) | A403-F, 5" (127mm)



Dimensions shown in parentheses () are in millimeters

Job: _____

Date: _____

Door Thickness: _____

Remarks: _____

**TEMPLATE
A403**