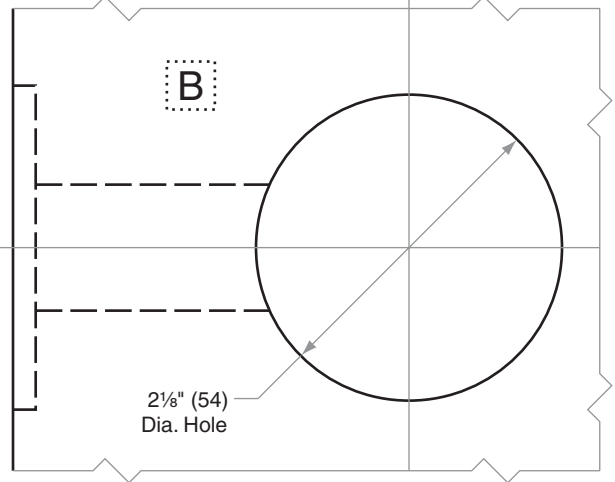
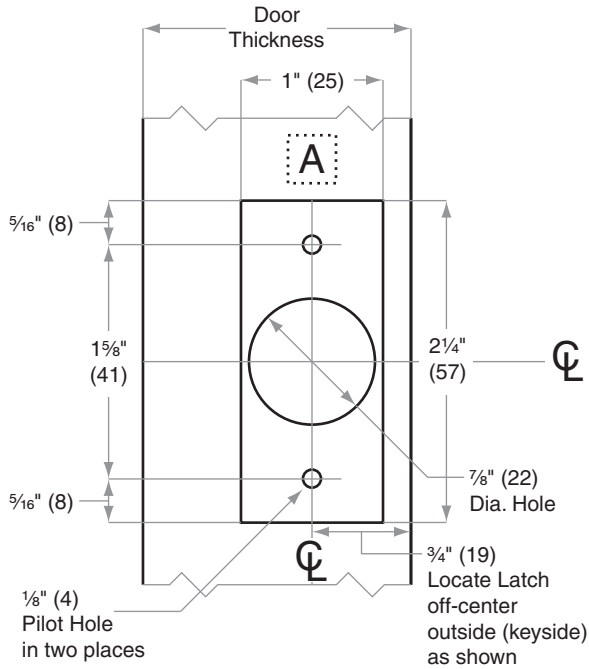
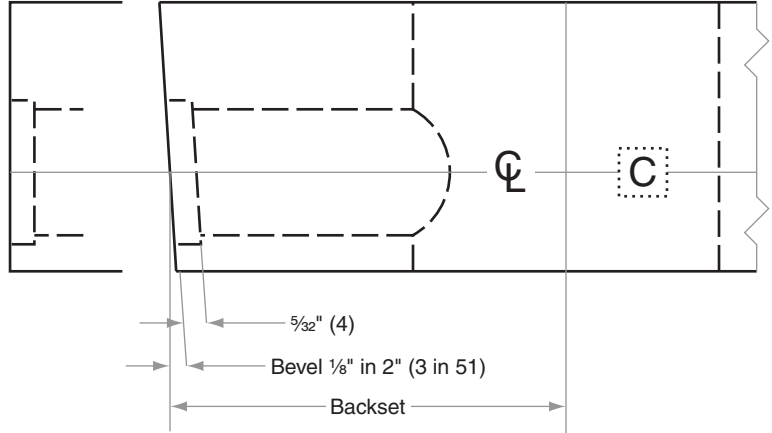
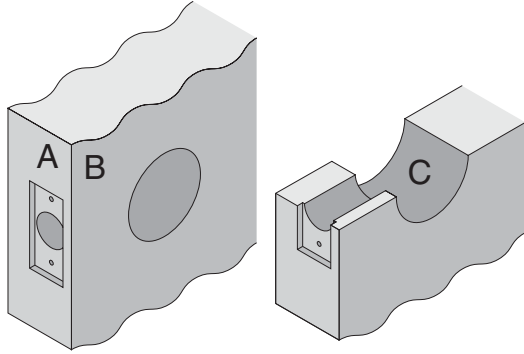


# A-Series

## A10–A85

- Door Type:** Wood or Composite, Flat or Beveled
- Door Thickness:** Over 1 7/8" (48mm) up to 2 1/2" (64mm), extended inside only
- Faceplate:** Square Corner, 1" (25mm) wide
- Backsets:** A402-C, 2 3/8" (60mm) | A402-D, 2 3/4" (70mm) | A402-E, 3 3/4" (95mm) | A402-F, 5" (127mm)



Dimensions shown in parentheses ( ) are in millimeters

**Job:** \_\_\_\_\_

**Date:** \_\_\_\_\_

**Door Thickness:** \_\_\_\_\_

**Remarks:** \_\_\_\_\_

**TEMPLATE**  
**A402**