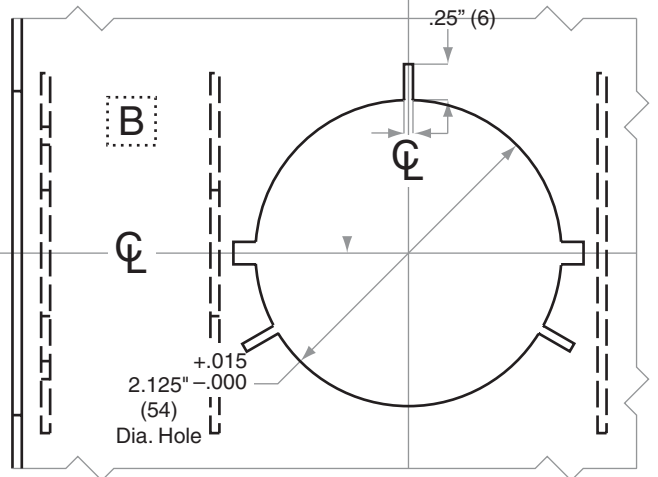
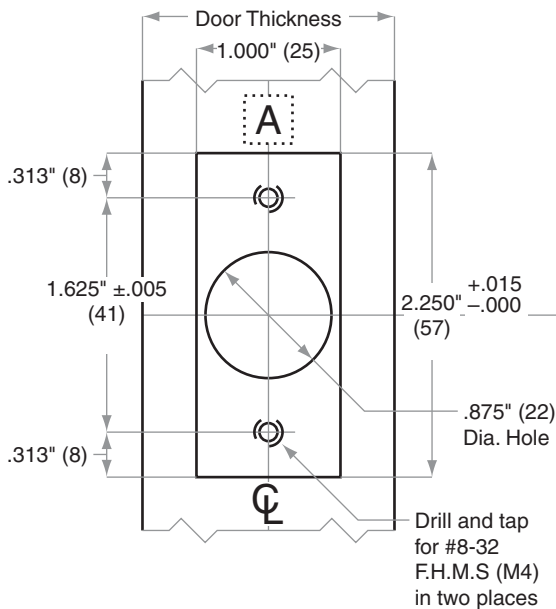
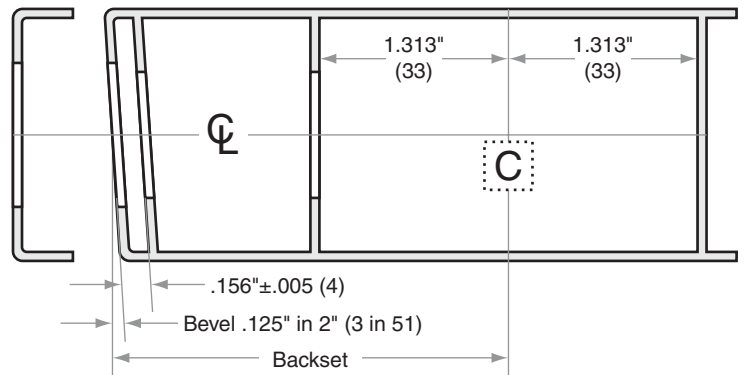
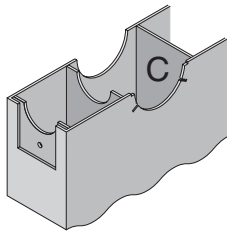
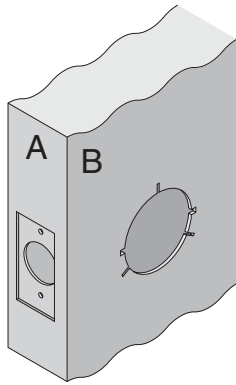


FE-Series

FE575, FE595

- Door Type:** Metal, Flat or Beveled
- Door Thickness:** 1 $\frac{3}{8}$ " (35mm)–1 $\frac{3}{4}$ " (44mm)
- Faceplate:** Square Corner, 1" (25mm) wide
- Backsets:** F781-C, 2 $\frac{3}{8}$ " (60mm) | F781-D, 2 $\frac{3}{4}$ " (70mm)

For metal door installations suitable reinforcement is required to support latch in center of door and to prevent lateral movement



Dimensions shown in parentheses () are in millimeters

Job: _____

Date: _____

Door Thickness: _____

Remarks: _____

**TEMPLATE
F781**