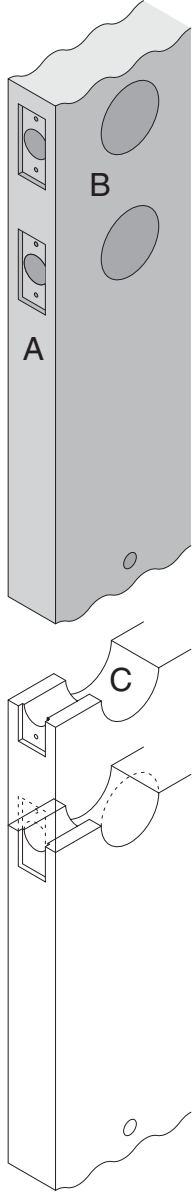


# F-Series

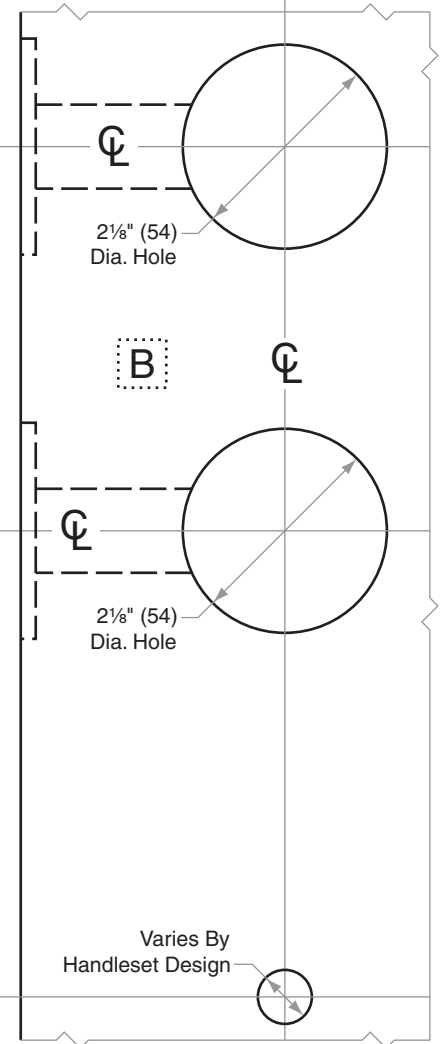
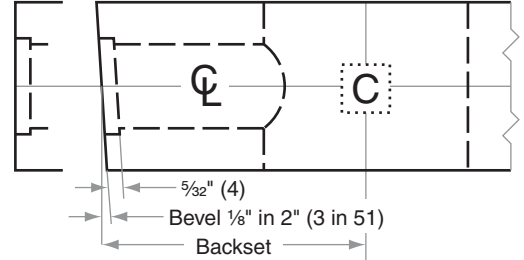
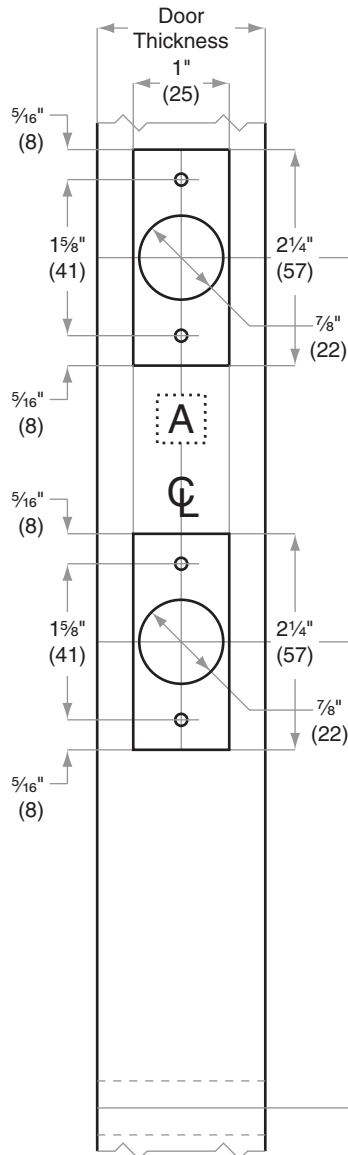
## F360, F362, F393

- Door Type:** Wood or Composite, Flat or Beveled
- Door Thickness:** 1 5/8" (41mm)–2" (51mm)
- Faceplate:** Square Corner, 1" (25mm) wide
- Backsets:** F769-C, 2 3/8" (60mm) | F769-D, 2 3/4" (70mm)



**Prepare edge of door for F/FA360 and F/FA362**  
**Not required for F393**

**Bottom hole for reference only. Do not drill until product installation**



Dimensions shown in parentheses ( ) are in millimeters

**Job:** \_\_\_\_\_

**Date:** \_\_\_\_\_

**Door Thickness:** \_\_\_\_\_

**Remarks:** \_\_\_\_\_

**TEMPLATE**  
**F769**