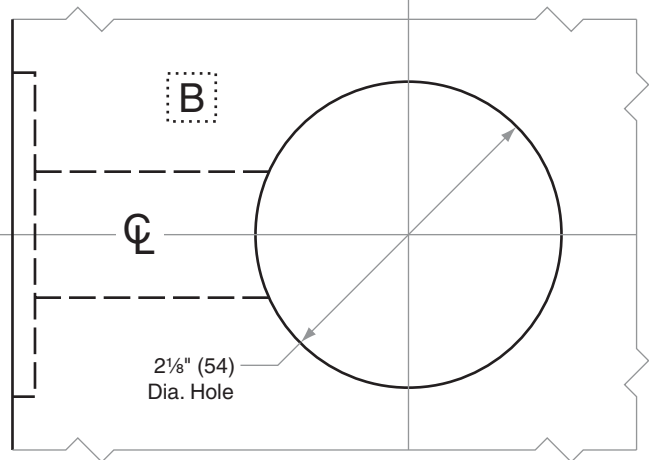
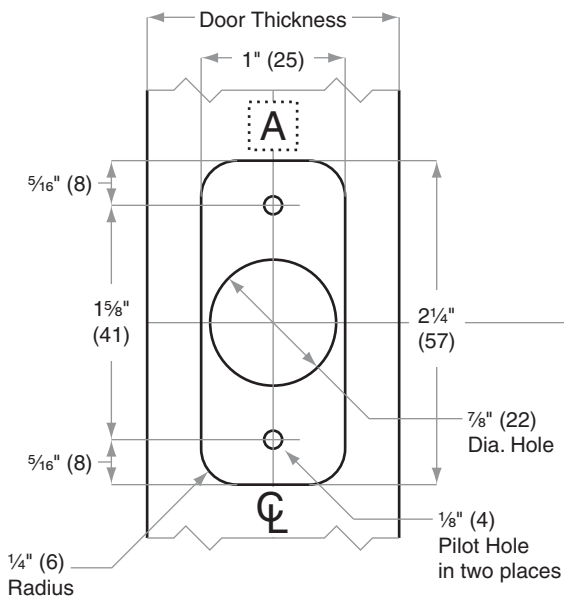
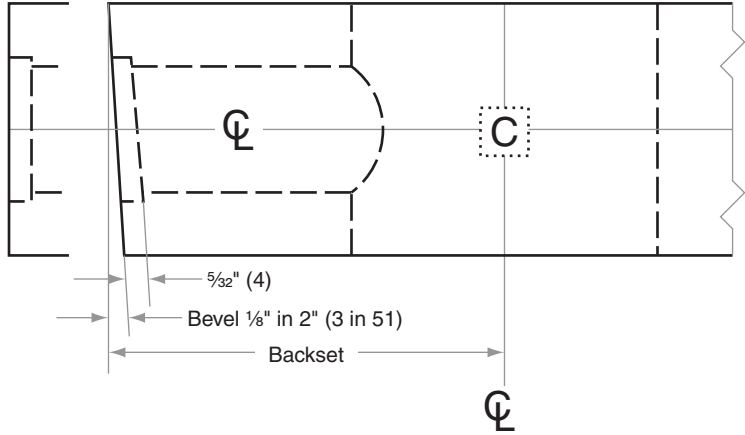
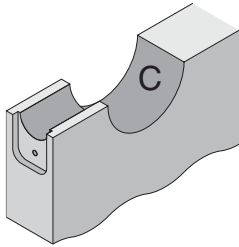
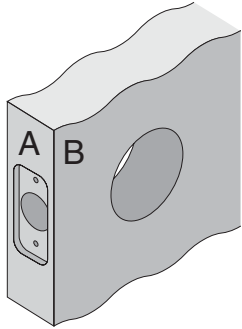


F/FA-Series

F10–F80, FA10–FA80

- Door Type:** Wood or Composite, Flat or Beveled
- Door Thickness:** 1 $\frac{3}{8}$ " (35mm)–1 $\frac{3}{4}$ " (44mm)
- Faceplate:** Round Corner, $\frac{1}{4}$ " (6mm) Radius, 1" (25mm) wide
- Backsets:** F439-C, 2 $\frac{3}{8}$ " (60mm) | F439-D, 2 $\frac{3}{4}$ " (70mm) | F439-F, 5" (127mm)



Dimensions shown in parentheses () are in millimeters

Job: _____

Date: _____

Door Thickness: _____

Remarks: _____

TEMPLATE
F439