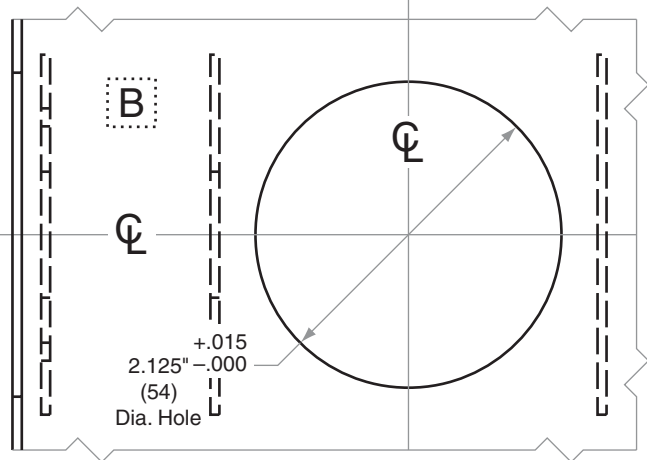
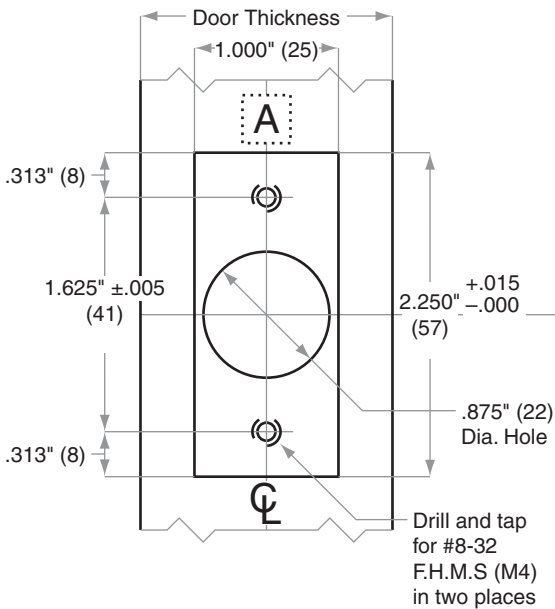
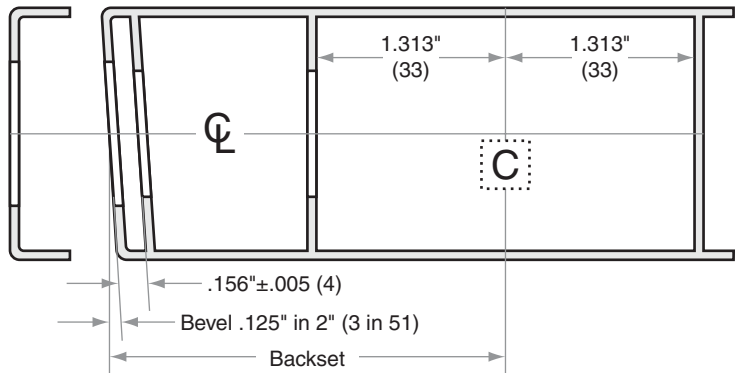
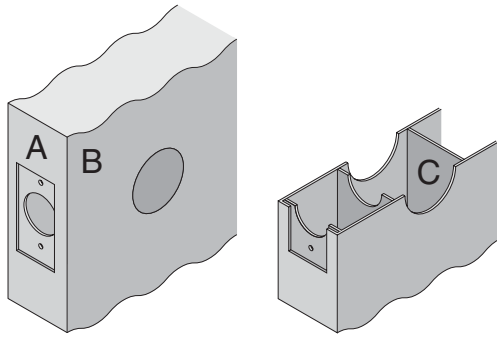


F/FA-Series

F10-F80, FA10-FA80

Door Type:	Metal, Flat or Beveled
Door Thickness:	1 $\frac{3}{8}$ " (35mm)–1 $\frac{3}{4}$ " (44mm)
Faceplate:	Square Corner, 1" (25mm) wide
Backsets:	F437-C, 2 $\frac{3}{8}$ " (60mm) F437-D, 2 $\frac{3}{4}$ " (70mm) F437-F, 5" (127mm)

For metal door installations suitable reinforcement is required to support latch in center of door and to prevent lateral movement



Dimensions shown in parentheses () are in millimeters

Job: _____

Date: _____

Door Thickness: _____

Remarks: _____

TEMPLATE
F437