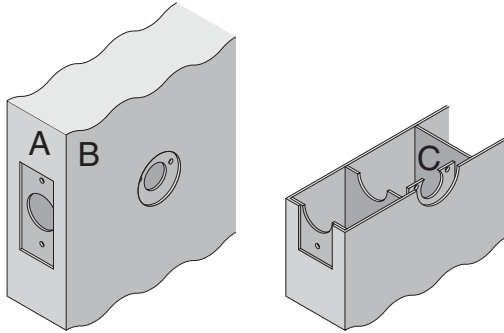


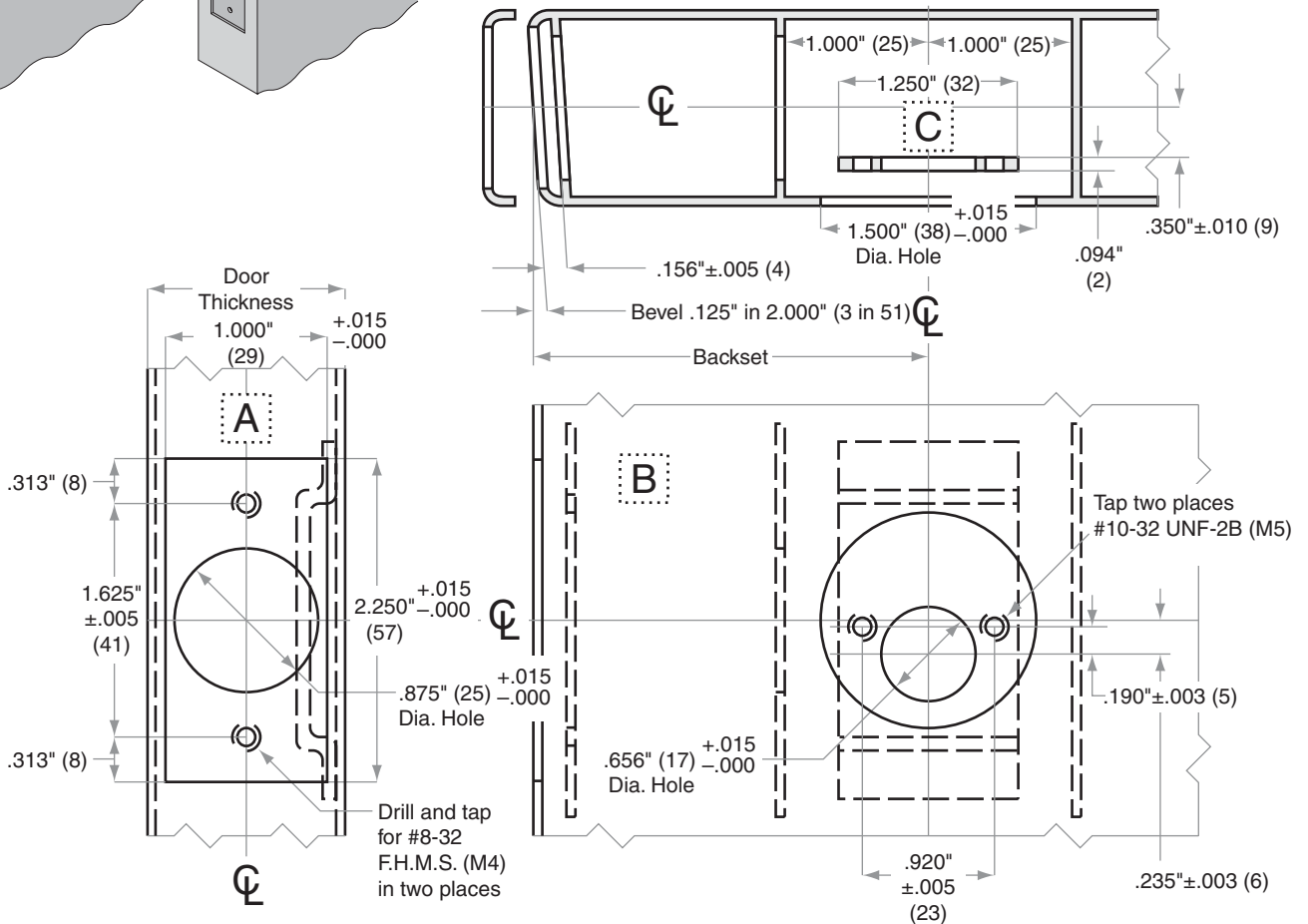
BC100-Series

BC180

Door Type:	Metal, Flat or Beveled
Door Thickness:	Various
Faceplate:	Square Corner, 1" (25mm) wide
Backsets:	B921-C, 2 ³ / ₈ " (60mm) B921-D, 2 ³ / ₄ " (70mm)



For metal door installations, suitable reinforcement is required to support latch in center of door and to prevent lateral movement



Dimensions shown in parentheses () are in millimeters

Job: _____

Date: _____

Door Thickness: _____

Remarks: _____

**TEMPLATE
B921**