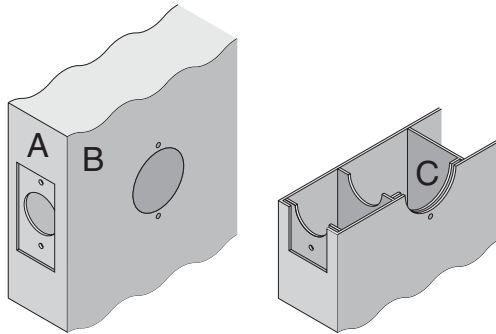


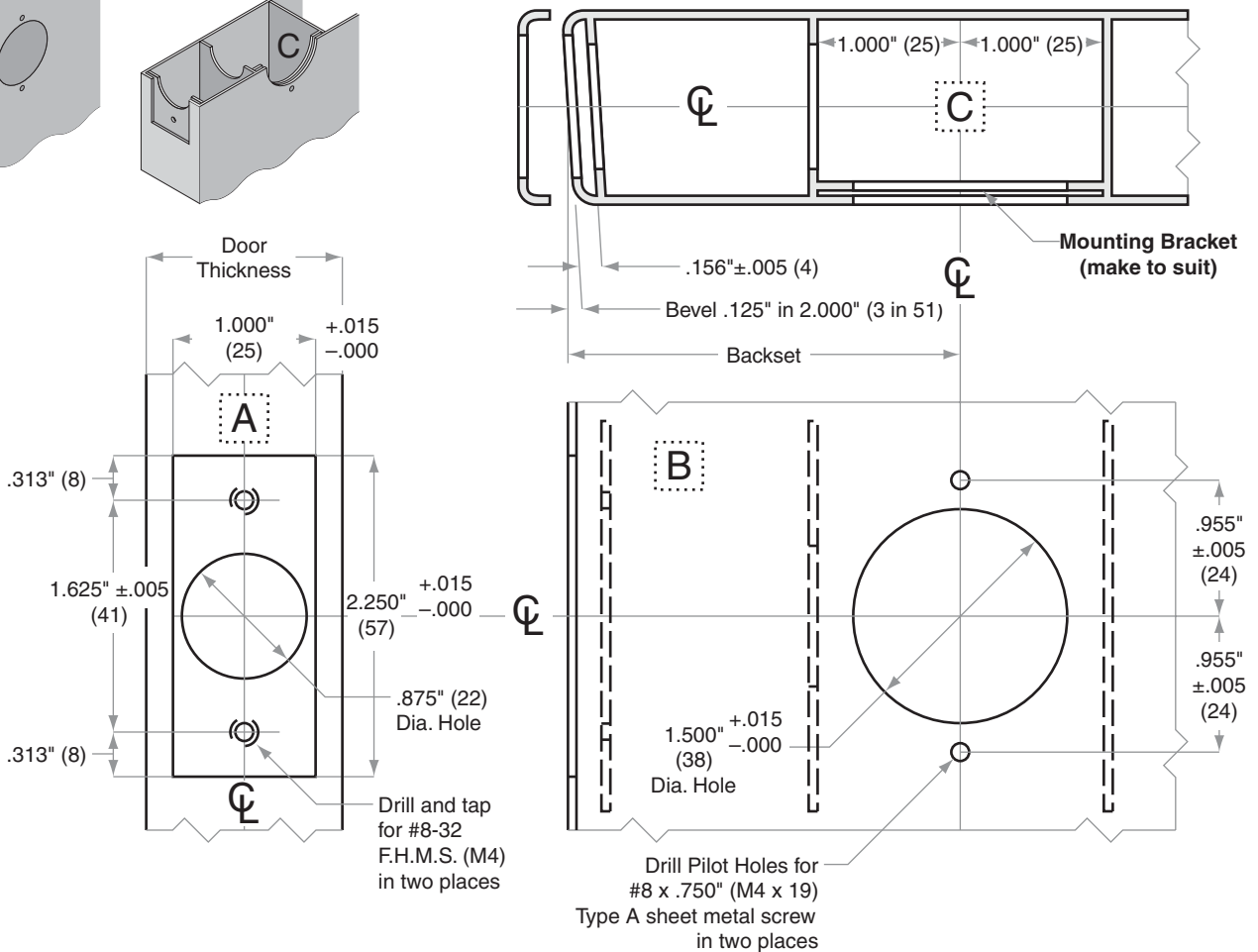
# B/BA300-Series

## B380, BA380

<b>Door Type:</b>	Metal, Flat or Beveled
<b>Door Thickness:</b>	Various
<b>Faceplate:</b>	Square Corner, 1" (25mm) wide
<b>Backsets:</b>	B914-C, 2 <sup>3</sup> / <sub>8</sub> " (60mm)   B914-D, 2 <sup>3</sup> / <sub>4</sub> " (70mm)   B914-F, 5" (127mm)



For metal door installations, suitable reinforcement is required to support latch in center of door and to prevent lateral movement.



Dimensions shown in parentheses ( ) are in millimeters

**Job:** \_\_\_\_\_

**Date:** \_\_\_\_\_

**Door Thickness:** \_\_\_\_\_

**Remarks:** \_\_\_\_\_

**TEMPLATE**  
**B914**