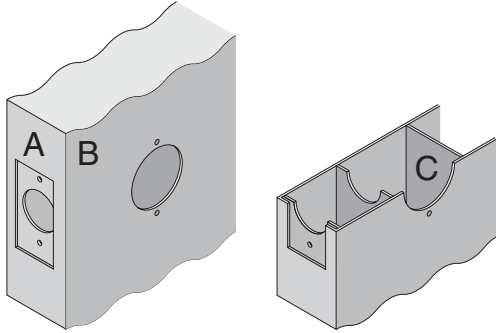


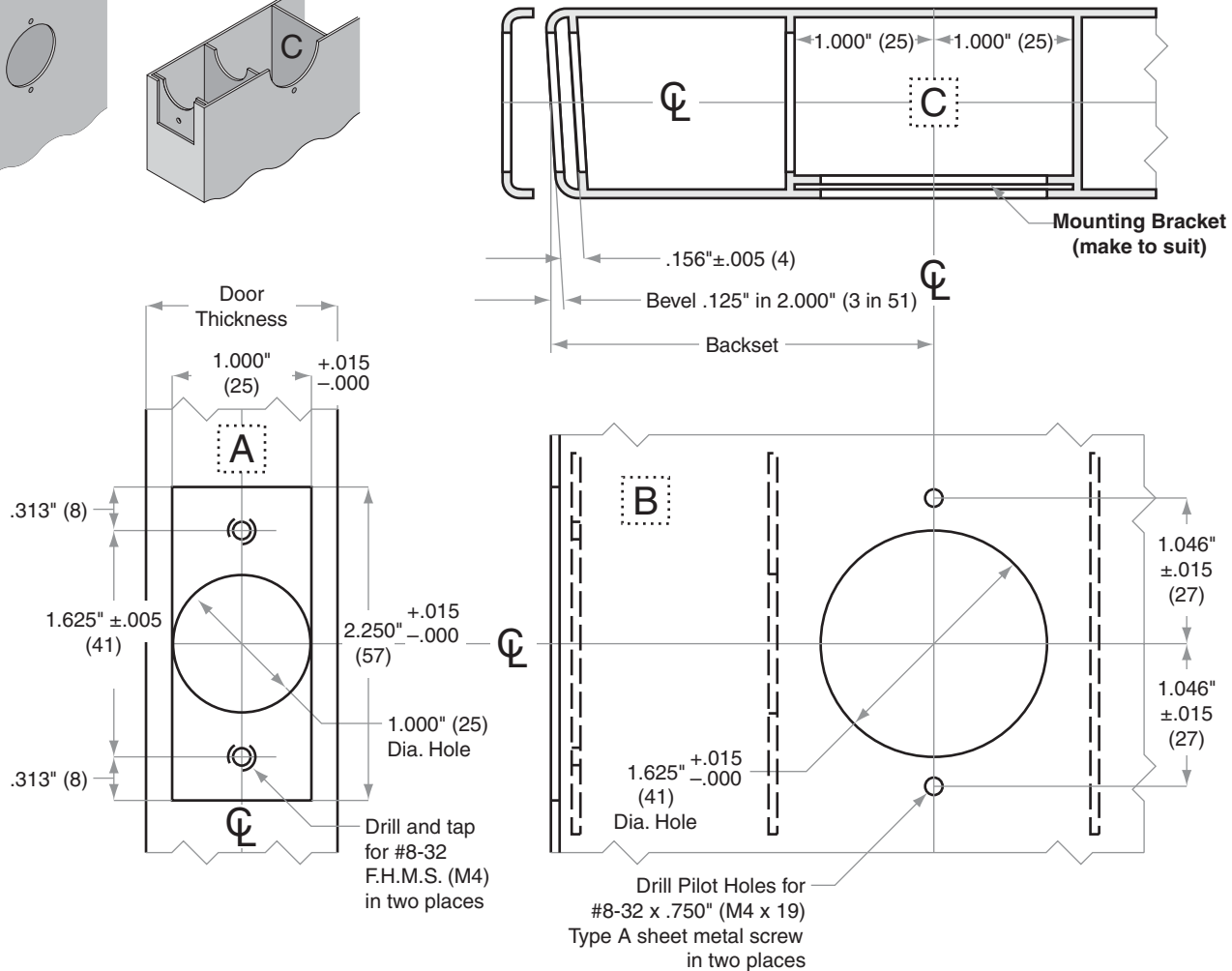
# B280-Series

## B280

- Door Type:** Metal, Flat or Beveled
- Door Thickness:** Various
- Faceplate:** Square Corner, 1" (25mm) wide
- Backsets:** B908-C, 2<sup>3</sup>/<sub>8</sub>" (60mm) | B908-D, 2<sup>3</sup>/<sub>4</sub>" (70mm)



For metal door installations, suitable reinforcement is required to support latch in center of door and to prevent lateral movement



Dimensions shown in parentheses ( ) are in millimeters

**Job:** \_\_\_\_\_

**Date:** \_\_\_\_\_

**Door Thickness:** \_\_\_\_\_

**Remarks:** \_\_\_\_\_

**TEMPLATE**  
**B908**