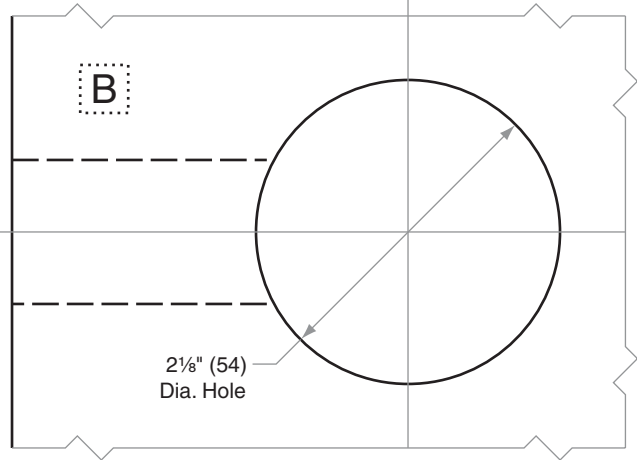
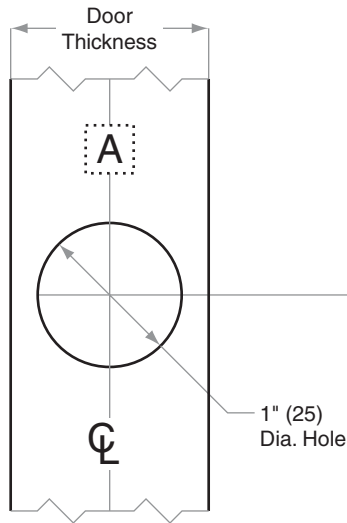
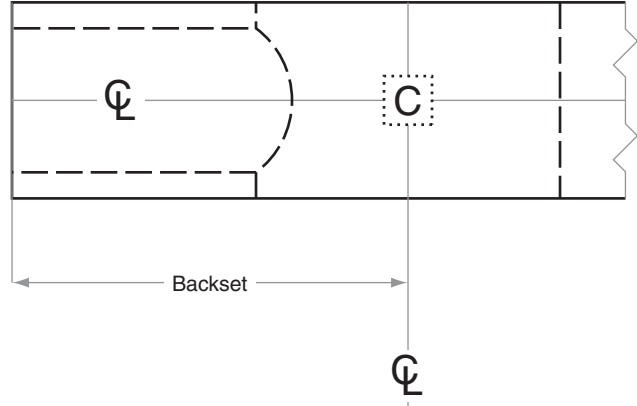
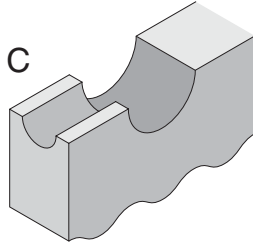
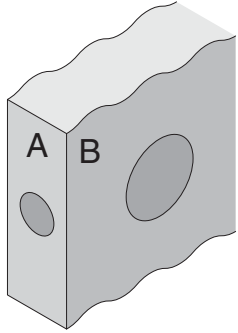


BR260-Series

BR260, BR262

- Door Type:** Wood or Composite, Flat
Door Thickness: 1 $\frac{3}{8}$ " (35mm)–1 $\frac{7}{8}$ " (48mm)
Faceplate: Circular Drive-In
Backsets: B906-C, 2 $\frac{3}{8}$ " (60mm) | B906-D, 2 $\frac{3}{4}$ " (70mm)



Dimensions shown in parentheses () are in millimeters

Job: _____

Date: _____

Door Thickness: _____

Remarks: _____

**TEMPLATE
B906**