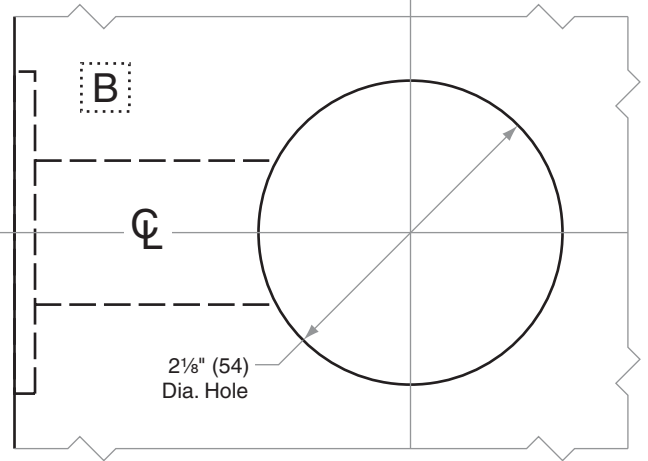
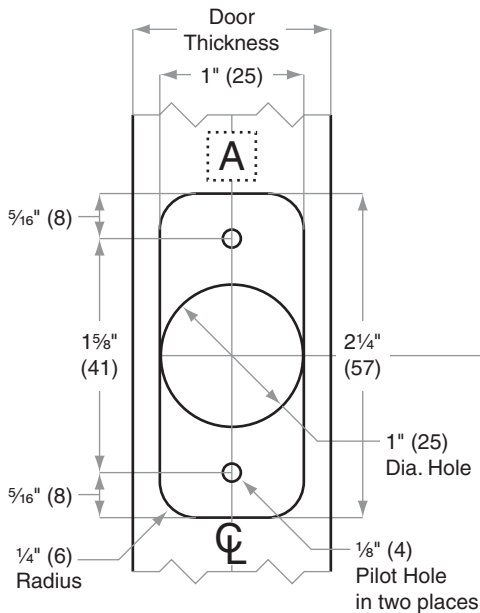
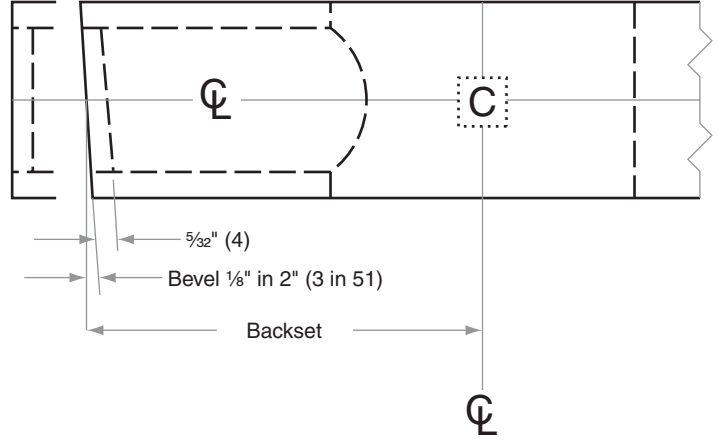
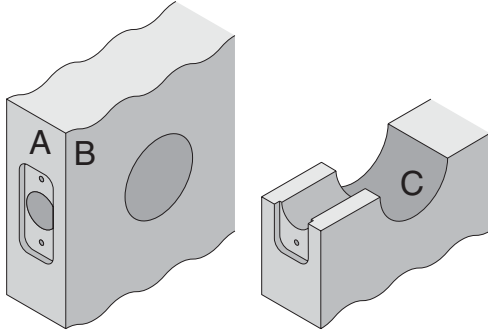


BR260-Series

BR260, BR262

- Door Type:** Wood or Composite, Flat or Beveled
- Door Thickness:** 1 $\frac{3}{8}$ " (35mm)–1 $\frac{7}{8}$ " (48mm)
- Faceplate:** Round Corner, $\frac{1}{4}$ " (6mm) Radius, 1" (25mm) wide
- Backsets:** B905-C, 2 $\frac{3}{8}$ " (60mm) | B905-D, 2 $\frac{3}{4}$ " (70mm)



Dimensions shown in parentheses () are in millimeters

Job: _____

Date: _____

Door Thickness: _____

Remarks: _____

**TEMPLATE
B905**