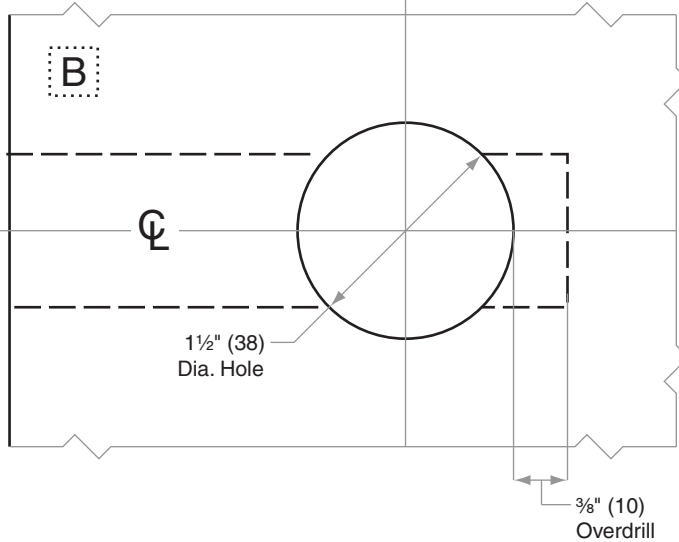
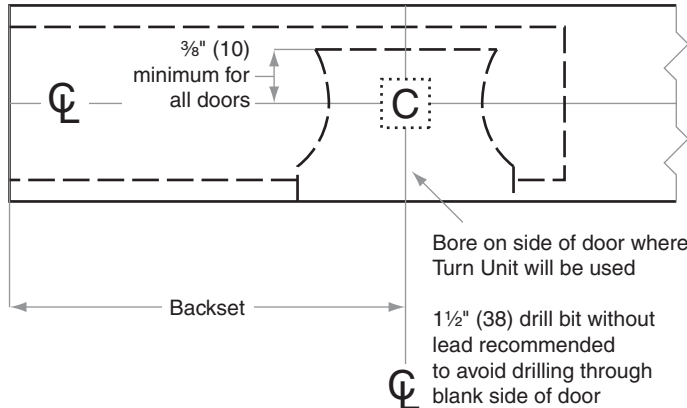
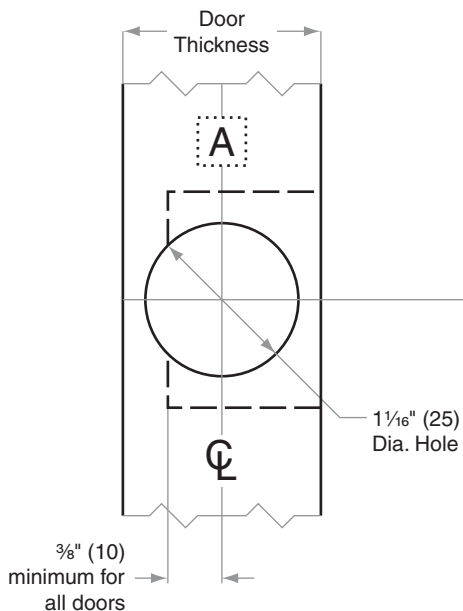
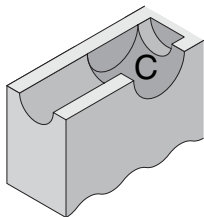
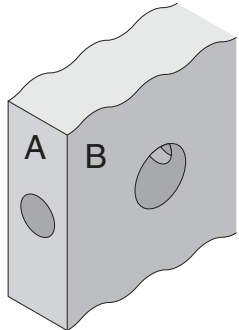


B600/700/800-Series

B664, B764, B864

Door Type:	Wood or Composite, Flat
Door Thickness:	1 $\frac{3}{8}$ " (35mm)–2 $\frac{1}{2}$ " (64mm)
Faceplate:	Circular Drive-In
Backsets:	B895-C, 2 $\frac{3}{8}$ " (60mm) B895-D, 2 $\frac{3}{4}$ " (70mm) B895-E, 3 $\frac{3}{4}$ " (95mm) B895-F, 5" (127mm)



Dimensions shown in parentheses () are in millimeters

Job: _____

Date: _____

Door Thickness: _____

Remarks: _____

TEMPLATE
B895