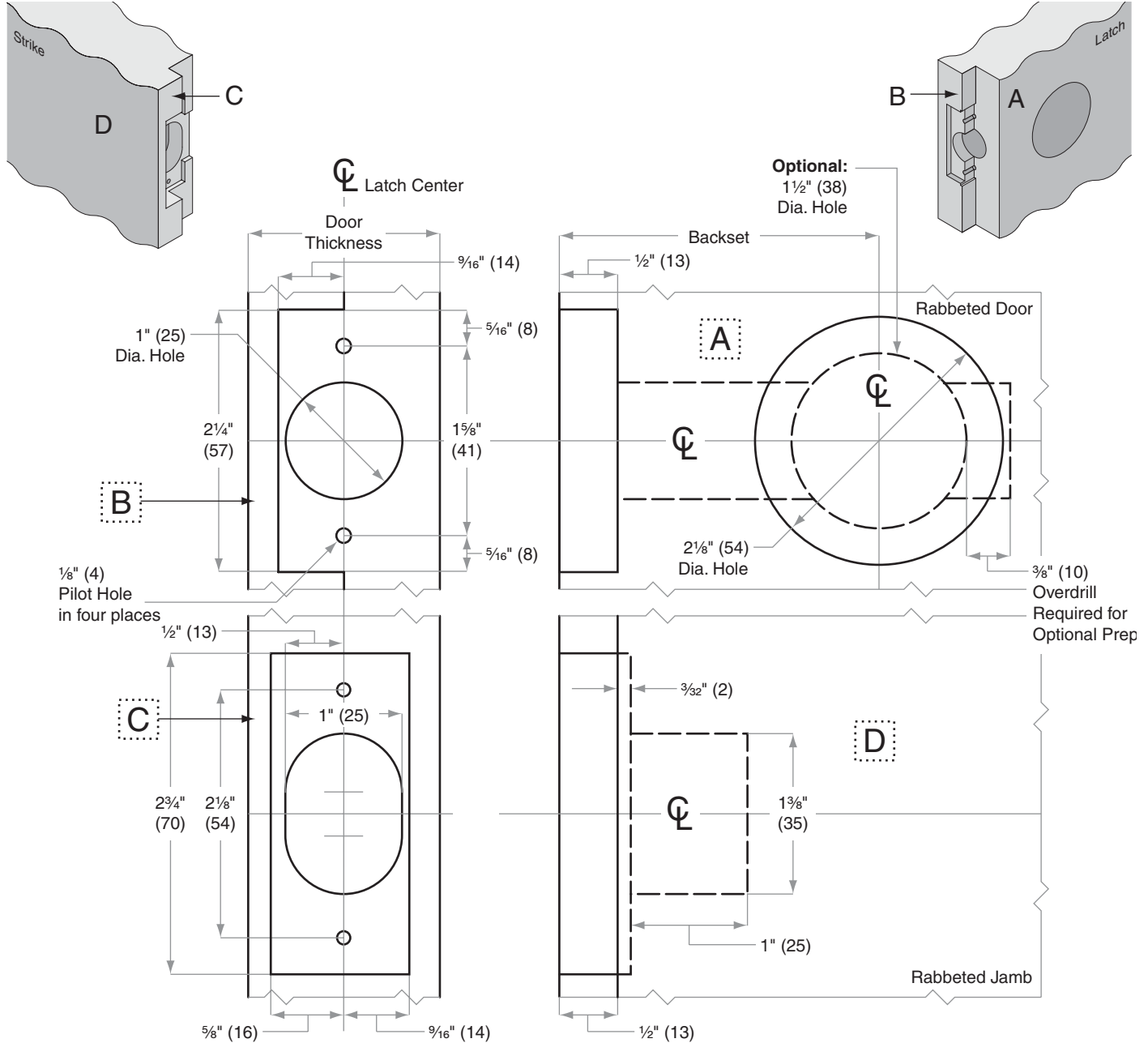


B600/700/800-Series

B660/661/662/663, B760/761/762/763, B860/861/862/863

- Door Type:** Wood or Composite, rabbeted, flat
- Door Thickness:** 1 $\frac{3}{8}$ " (35mm)–2 $\frac{1}{2}$ " (64mm)
- Faceplate:** Square Corner, 1 $\frac{1}{8}$ " (29mm) wide, $\frac{1}{2}$ " (6mm) rabbeted and strike
- Backsets:** B890-C, 2 $\frac{3}{8}$ " (60mm) | B890-D, 2 $\frac{3}{4}$ " (70mm) | B890-E, 3 $\frac{3}{4}$ " (95mm) | B890-F, 5" (127mm)



Dimensions shown in parentheses () are in millimeters

Job: _____

Date: _____

Door Thickness: _____

Remarks: _____

**TEMPLATE
B890**