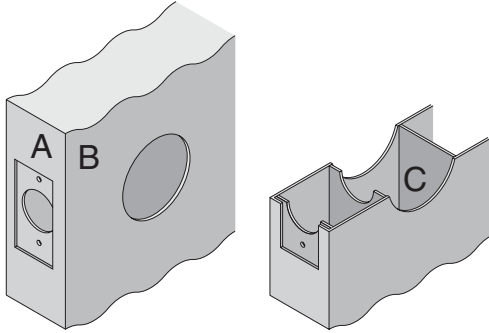


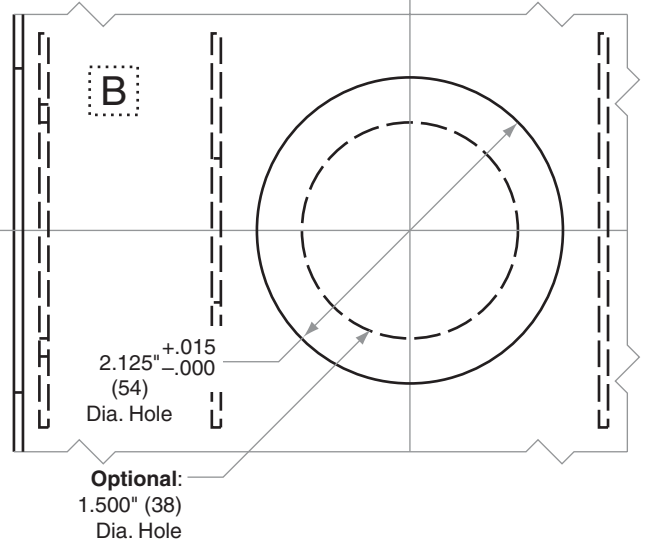
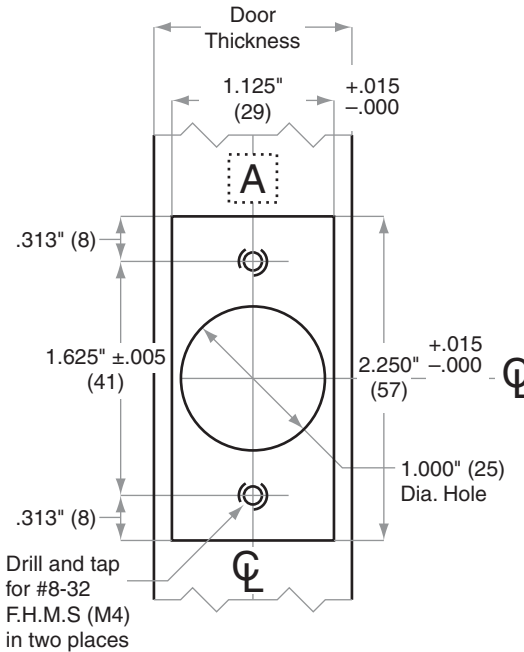
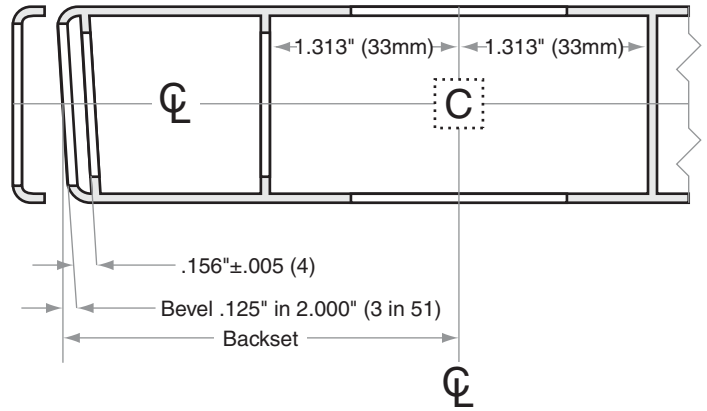
B600/700/800-Series

B660/661/662/663, B760/761/762/763, B860/861/862/863

- Door Type:** Metal, Flat or Beveled
Door Thickness: 1 $\frac{3}{8}$ " (35mm)–2 $\frac{1}{2}$ " (64mm)
Faceplate: Square Corner, 1 $\frac{1}{8}$ " (29mm) wide
Backsets: B889-C, 2 $\frac{3}{8}$ " (60mm) | B889-D, 2 $\frac{3}{4}$ " (70mm) | B889-E, 3 $\frac{3}{4}$ " (95mm) | B889-F, 5" (127mm)



For metal door installations, suitable reinforcement is required to support latch in center of door and to prevent lateral movement



Dimensions shown in parentheses () are in millimeters

Job: _____

Date: _____

Door Thickness: _____

Remarks: _____

TEMPLATE
B889