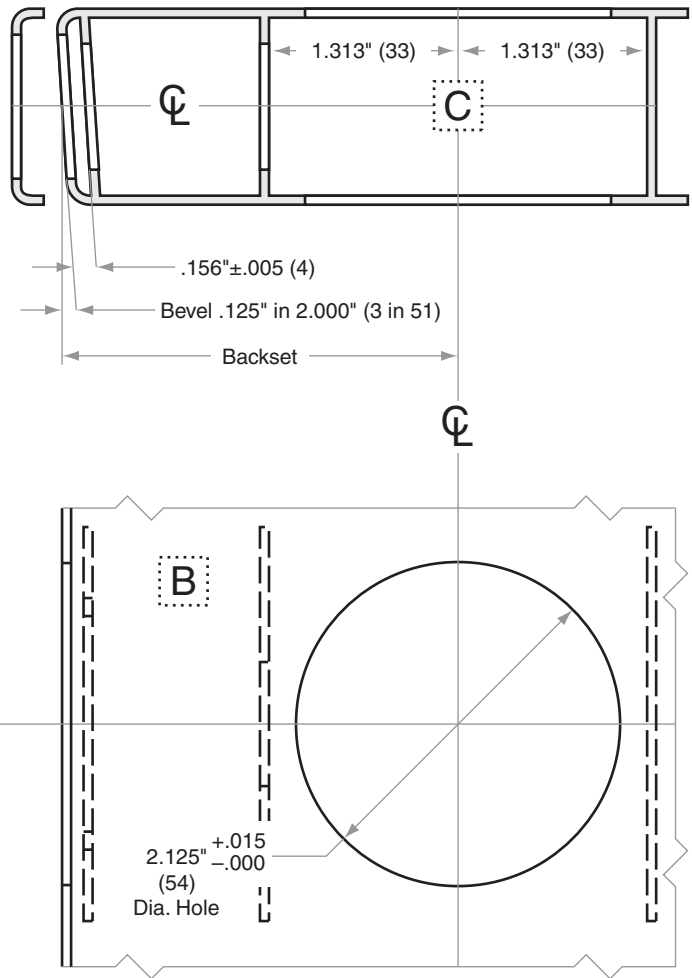
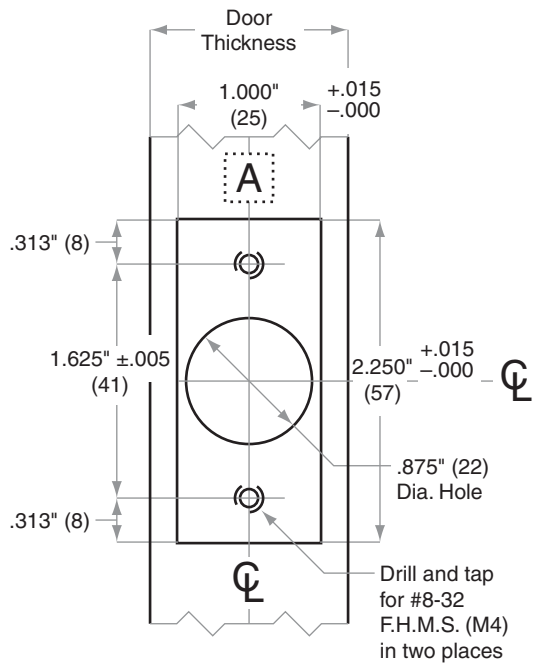
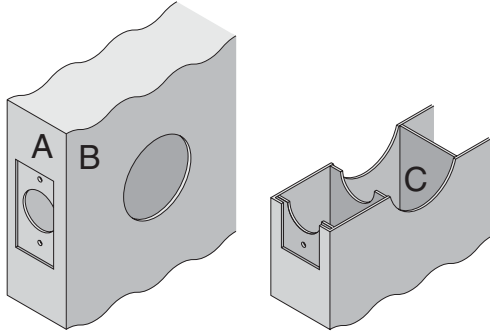


BC100 and B/BA300-Series

BC160, BC162, B360, B362, BA360, BA362

Door Type:	Metal, Flat or Beveled
Door Thickness:	1 $\frac{3}{8}$ " (35mm)–2 $\frac{1}{4}$ " (57mm)
Faceplate:	Square Corner, 1" (25mm) wide
Backsets:	B520-C, 2 $\frac{3}{8}$ " (60mm) B520-D, 2 $\frac{3}{4}$ " (70mm) B520-F (B/BA360/362 only), 5" (127mm)

For metal door installations, suitable reinforcement is required to support latch in center of door and to prevent lateral movement



Dimensions shown in parentheses () are in millimeters

Job: _____

Date: _____

Door Thickness: _____

Remarks: _____

TEMPLATE
B520