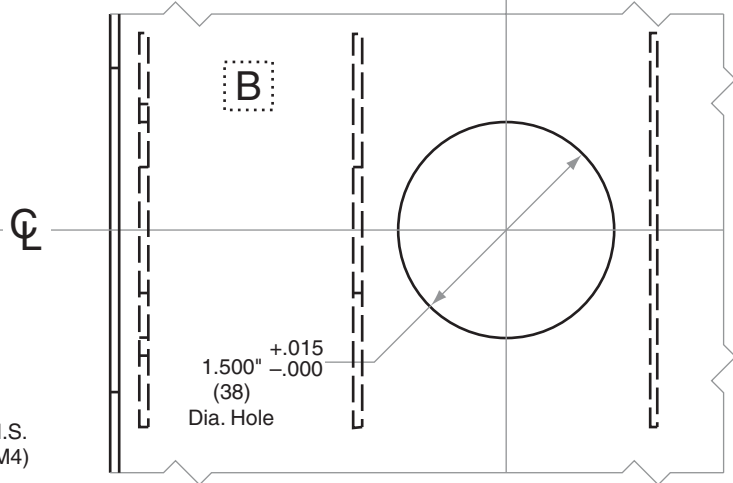
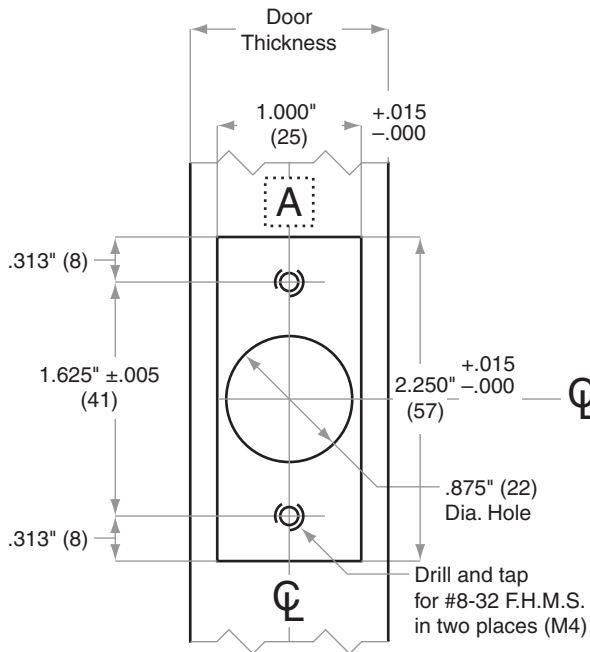
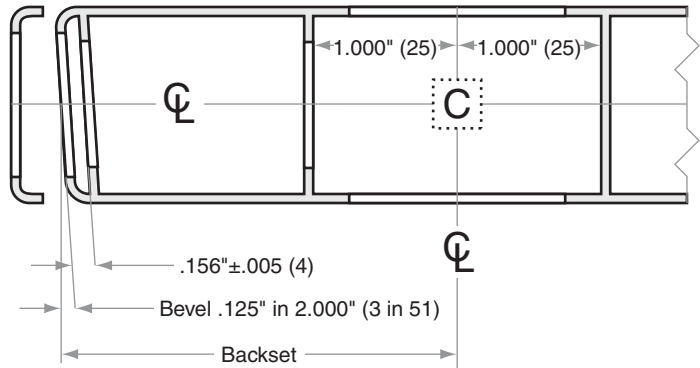
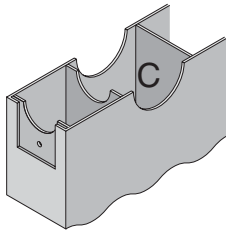
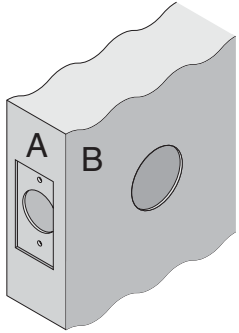


BC100-Series

BC160, BC162

- Door Type:** Metal, Flat or Beveled
- Door Thickness:** 1 $\frac{3}{8}$ " (35mm)–2 $\frac{1}{4}$ " (57mm)
- Faceplate:** Square Corner, 1" (25mm) wide
- Backsets:** B481-C, 2 $\frac{3}{8}$ " (60mm) | B481-D, 2 $\frac{3}{4}$ " (70mm)

For metal door installations, suitable reinforcement is required to support latch in center of door and to prevent lateral movement



Dimensions shown in parentheses () are in millimeters

Job: _____

Date: _____

Door Thickness: _____

Remarks: _____

TEMPLATE
B481