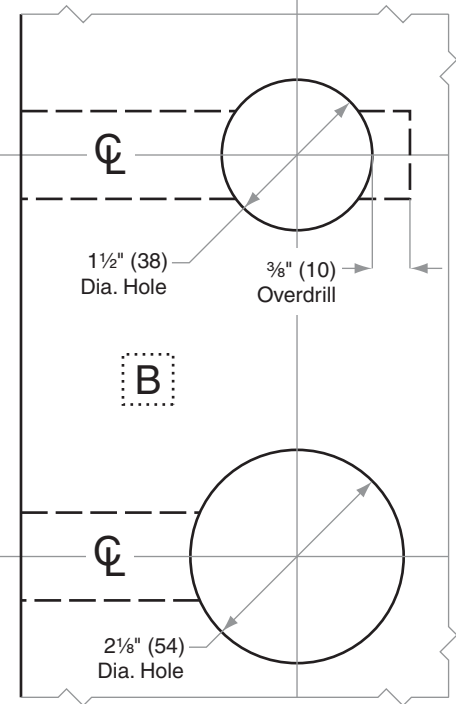
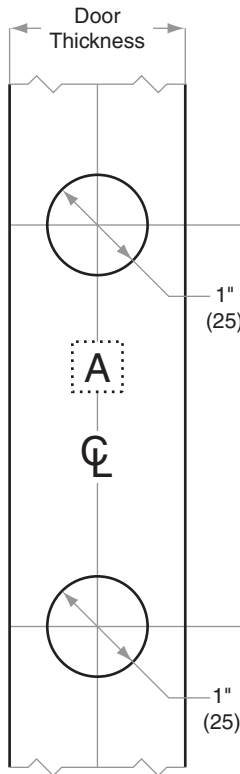
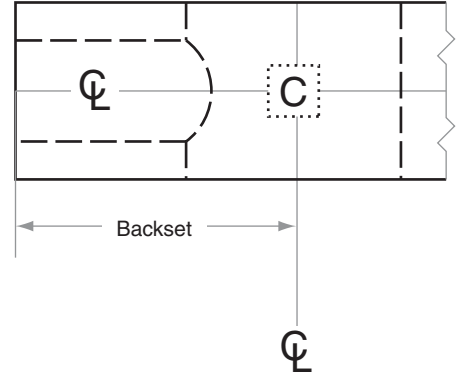
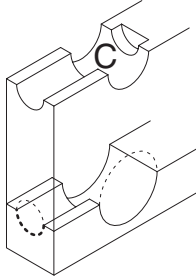
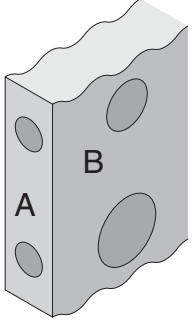


H-Series

H110, H153, H180, H185

- Door Type:** Wood or Composite, Flat
- Door Thickness:** 1 $\frac{3}{8}$ " (35mm)–1 $\frac{3}{4}$ " (44mm)
- Faceplate:** Circular Drive-In
- Backsets:** H498-C, 2 $\frac{3}{8}$ " (60mm) | H498-D, 2 $\frac{3}{4}$ " (70mm)



Dimensions shown in parentheses () are in millimeters

Job: _____

Date: _____

Door Thickness: _____

Remarks: _____

TEMPLATE
H498