

EVEREST™

Patented Key Control Full Size Schlage Cylinders

Performance Specifications

Applications. Schools, universities, hospitals, industrial sites, office, and commercial buildings, whether key control is a priority or not.

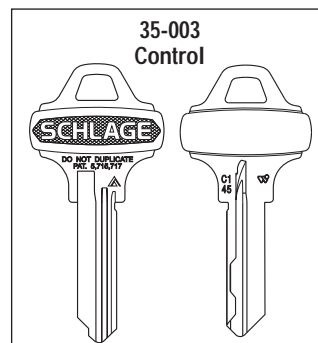
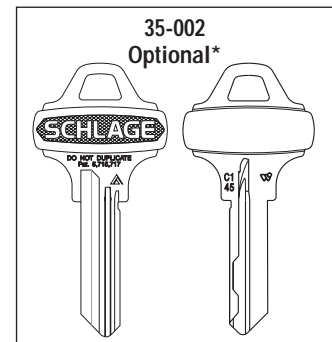
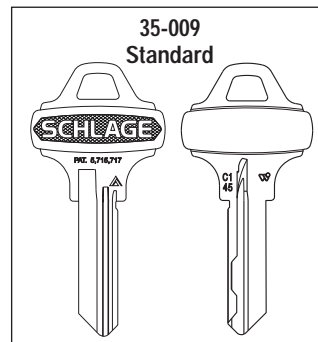
Keying. 6-Pin tumblers with two nickel silver keys per lock. Cylinders may be master or grand master keyed.

Benefits and Features

- *Thicker, stronger keys. Larger key bow for ease of handling and customer stamping.*
- *Various patents to protect against unauthorized cylinder and key blank supply. This provides enhanced security and guarantees original Schlage quality.*
- *The current offering of Schlage locksets, finishes and functions is available with Everest patented cylinders, except hotel functions and letter box cylinders.*
- *Open and restricted keyways.*
- *No new ordering process. Everest is now the default for new master key systems.*

Triad-C Open Multiplex Key System

Key Blanks



*Optional for Triad-C open keyways and standard for Triad-D restricted keyways.



SCHLAGE
2315 Briargate Parkway
Colorado Springs, CO 80920
719-264-5300
719-264-5474 Fax
www.schlage.com