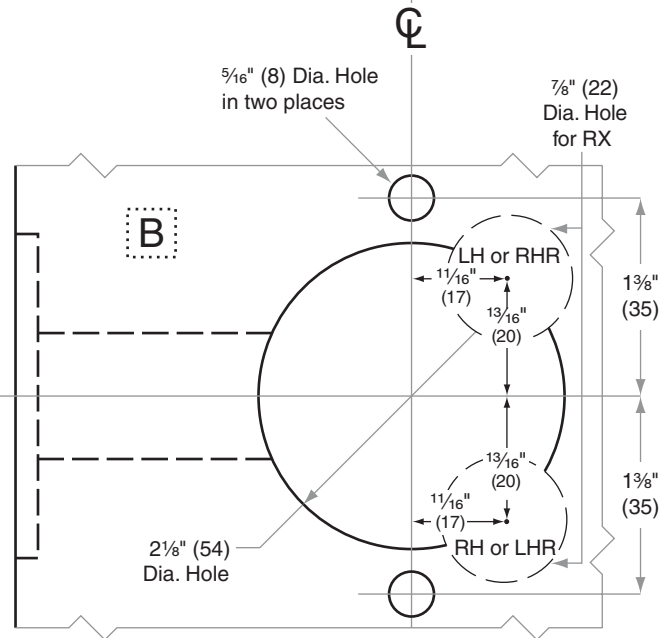
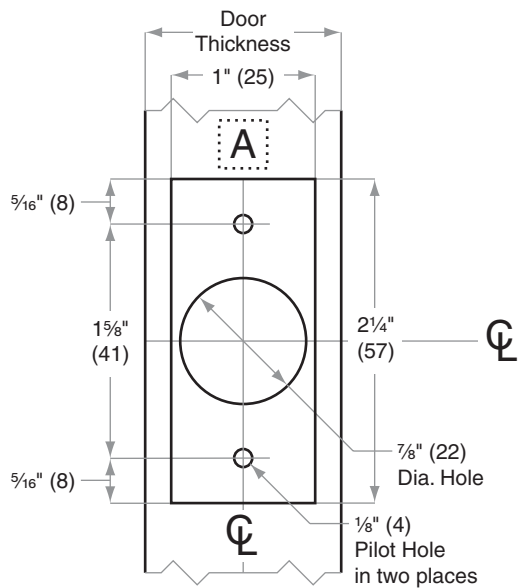
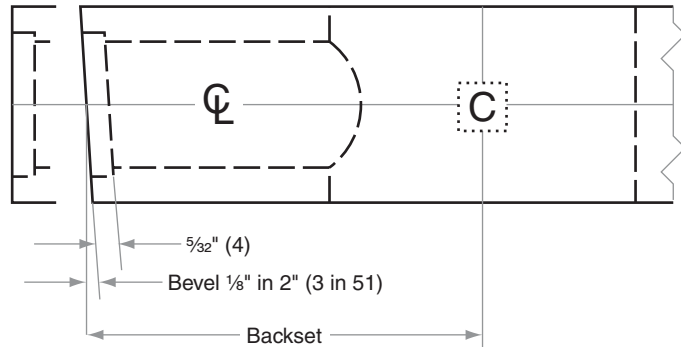
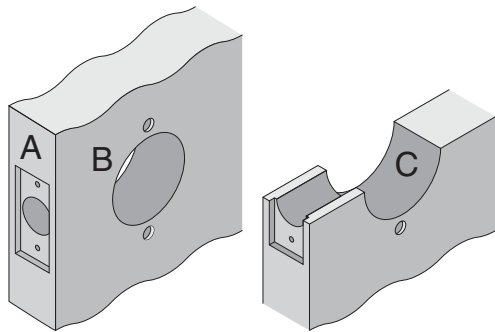


# ND-Series Levers

## ND10–ND97, ND12EL/EU/RX, ND80PDEL/EU/RX

<b>Door Type:</b>	Wood or Composite, Flat or Beveled
<b>Door Thickness:</b>	1 3/8" (35mm)–2 1/8" (54mm) except ND85: 1 3/4" (44mm)–2" (51mm)
<b>Faceplate:</b>	Square Corner, 1" (25mm) wide
<b>Backsets:</b>	ND405-C, 2 3/8" (60mm)   ND405-D, 2 3/4" (70mm)   ND405-E, 3 3/4" (95mm)   ND405-F, 5" (127mm)   D405-G, other

For EL/EU functions, provision must be made to route low voltage wire to lock (recommend minimum 1/2" (13) diameter hole). **A clearance hole is required to accommodate the rectifier, 7/16" (11) diameter by 2 7/8" (73) long.**



Dimensions shown in parentheses ( ) are in millimeters

**Job:** \_\_\_\_\_

**Date:** \_\_\_\_\_

**Door Thickness:** \_\_\_\_\_

**Remarks:** \_\_\_\_\_

**TEMPLATE  
ND405**