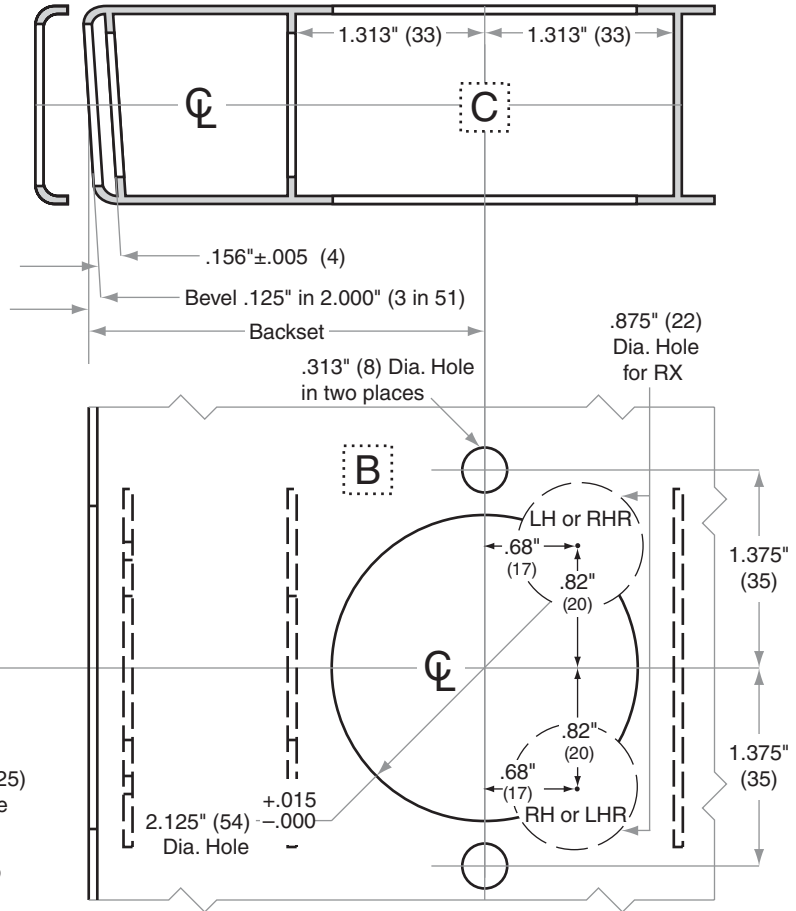
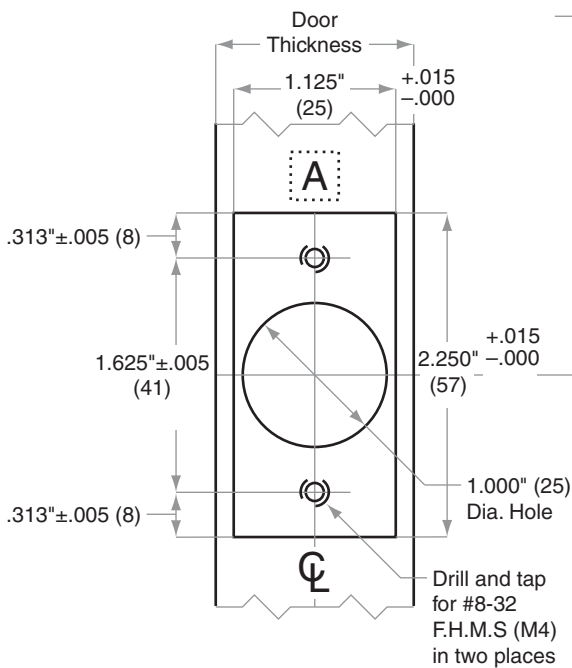
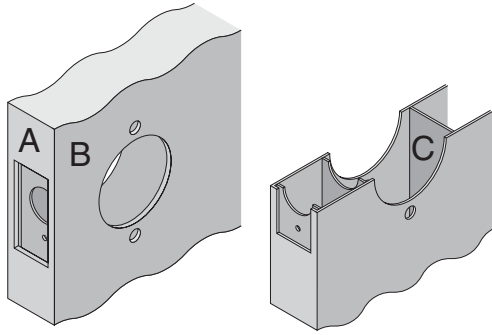


ND-Series Levers

ND10–ND97, ND12EL/EU/RX, ND80PDEL/EU/RX

Door Type:	Metal, Flat or Beveled
Door Thickness:	1 $\frac{3}{8}$ " (35mm)–2 $\frac{1}{8}$ " (54mm) except ND85: 1 $\frac{3}{4}$ " (44mm)–2" (51mm)
Faceplate:	Square Corner, 1 $\frac{1}{8}$ " (29mm) wide
Backsets:	ND401-C, 2 $\frac{3}{8}$ " (60mm) ND401-D, 2 $\frac{3}{4}$ " (70mm) ND401-E, 3 $\frac{3}{4}$ " (95mm) ND401-F, 5" (127mm) D401-G, other

For metal doors installations, suitable reinforcement is required to support latch in center of door and to prevent lateral movement



Dimensions shown in parentheses () are in millimeters

Job: _____

Date: _____

Door Thickness: _____

Remarks: _____

**TEMPLATE
ND401**