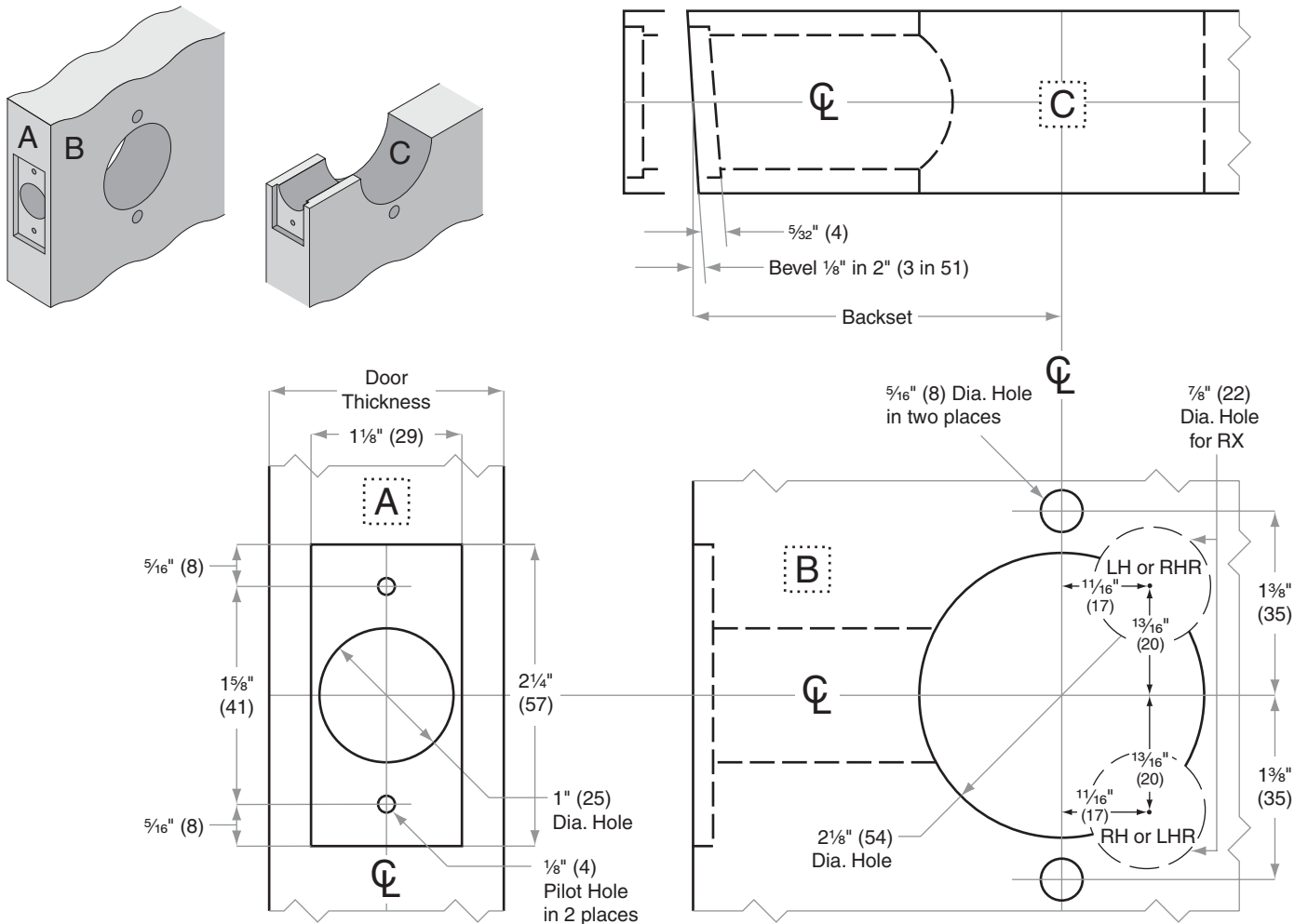


ND-Series Levers

ND10–ND97, ND12EL/EU/RX, ND80PDEL/EU/RX

| | |
|------------------------|---|
| Door Type: | Wood or Composite, Flat or Beveled |
| Door Thickness: | 1 $\frac{3}{8}$ " (35mm)–2 $\frac{1}{8}$ " (54mm) except ND85: 1 $\frac{3}{4}$ " (44mm)–2" (51mm) |
| Faceplate: | Square Corner, 1 $\frac{1}{8}$ " (29mm) wide |
| Backsets: | ND400-C, 2 $\frac{3}{8}$ " (60mm) ND400-D, 2 $\frac{3}{4}$ " (70mm) ND400-E, 3 $\frac{3}{4}$ " (95mm) ND400-F, 5" (127mm) D400-G, other |

For EL/EU and RX functions, provision must be made to route low voltage wire to lock (recommend minimum $\frac{1}{2}$ " (13) diameter hole). **On wood or composite doors, a clearance hole is required to accommodate the rectifier, $\frac{7}{16}$ " (11) diameter by 2 $\frac{7}{8}$ " (73) long.**



Dimensions shown in parentheses () are in millimeters

Job: _____

Date: _____

Door Thickness: _____

Remarks: _____

**TEMPLATE
ND400**