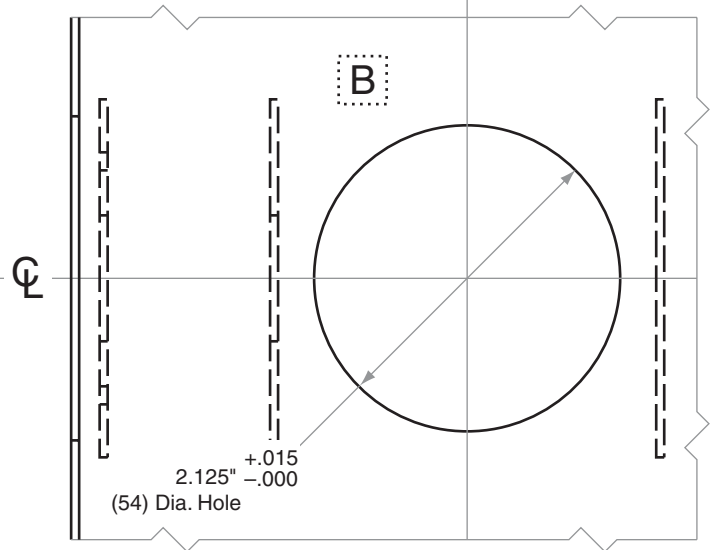
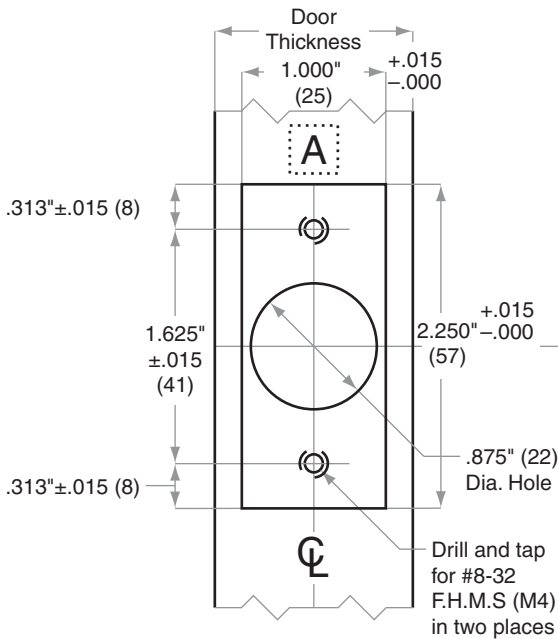
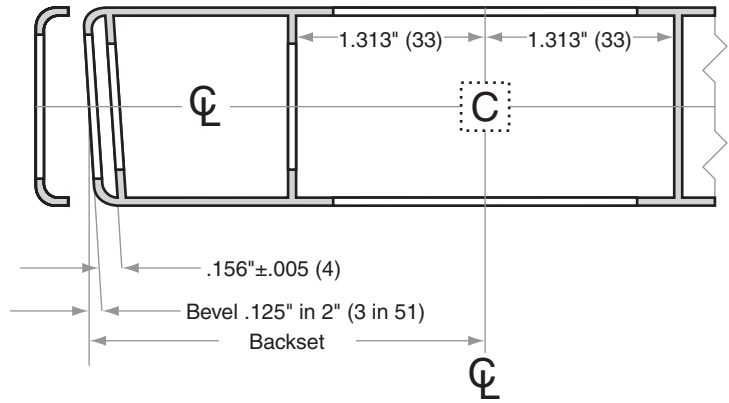
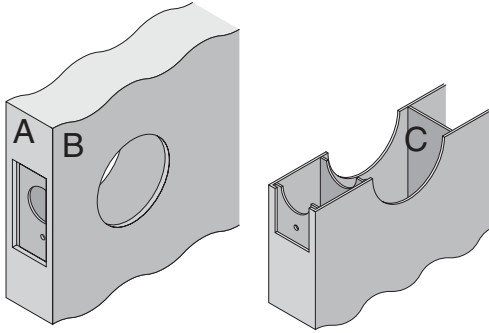


D-Series Knobs

D10–D85, D12EL/EU, D80PDEL/EU

Door Type:	Metal
Door Thickness:	1 3/8" (35mm)–2" (51mm)
Faceplate:	Square Corner, 1" (25mm) wide
Backsets:	D875-C, 2 3/8" (60mm) D875-D, 2 3/4" (70mm) D875-E, 3 3/4" (95mm) D875-F, 5" (127mm) D875-G, other

For metal door installations, suitable reinforcement is required to support latch in center of door and to prevent lateral movement



Dimensions shown in parentheses () are in millimeters

Job: _____

Date: _____

Door Thickness: _____

Remarks: _____

**TEMPLATE
D875**